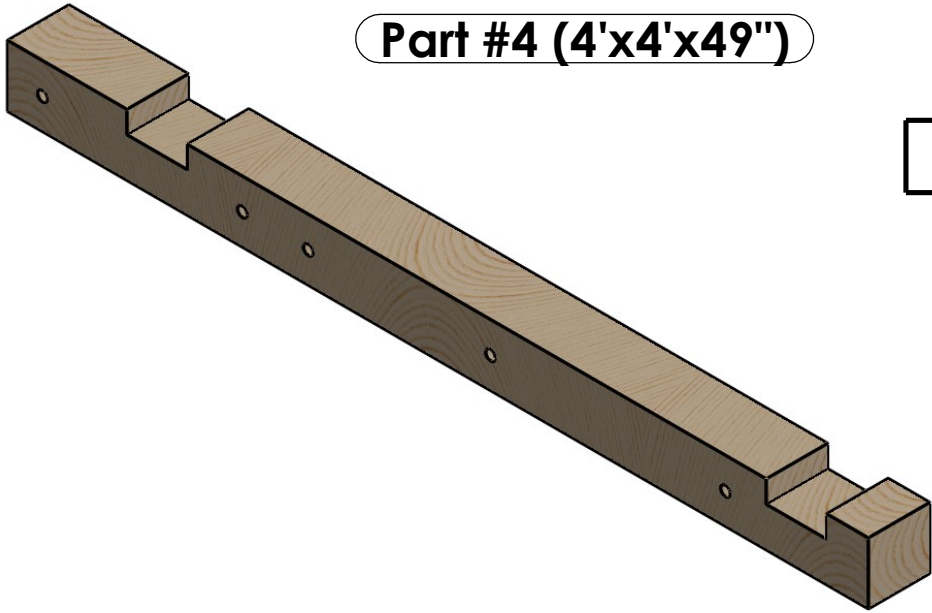


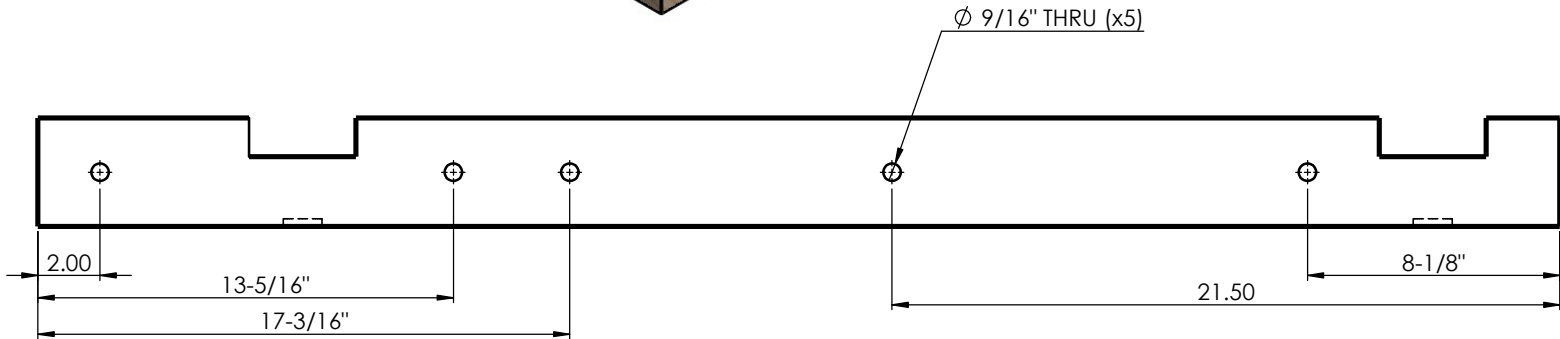
**Part #4 (4'x4'x49")**



Counterbore  $\phi 1.25 \nabla 0.25$  (x2)

**BOTTOM VIEW**

**FRONT VIEW**



**FRONT VIEW**

