

E

D

C

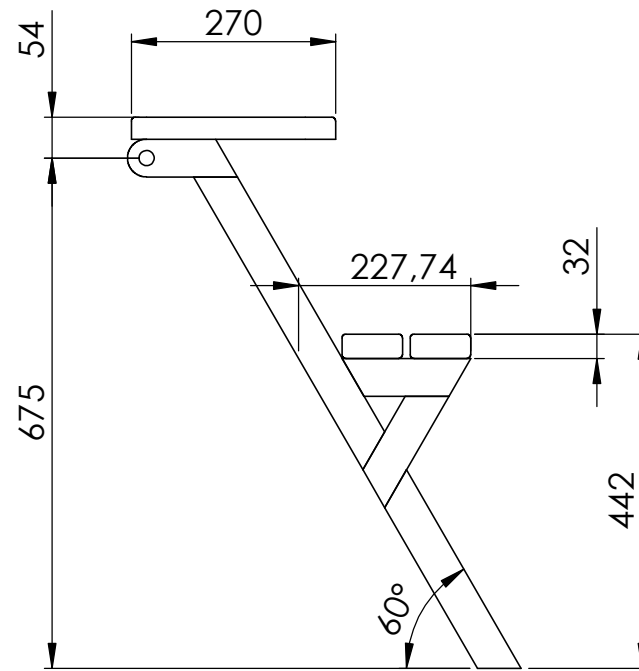
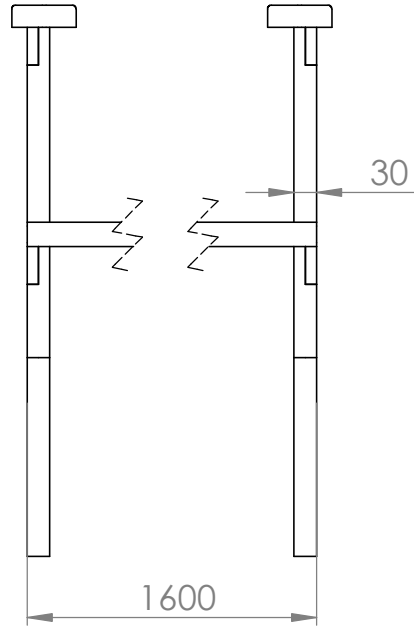
B

E

D

C

B



UNLESS OTHERWISE SPECIFIED:
DIMENSIONS ARE IN MILLIMETERS

FINISH:

DEBURR AND
BREAK SHARP
EDGES

DO NOT SCALE DRAWING

REVISION

LINEAR:
ANGULAR:

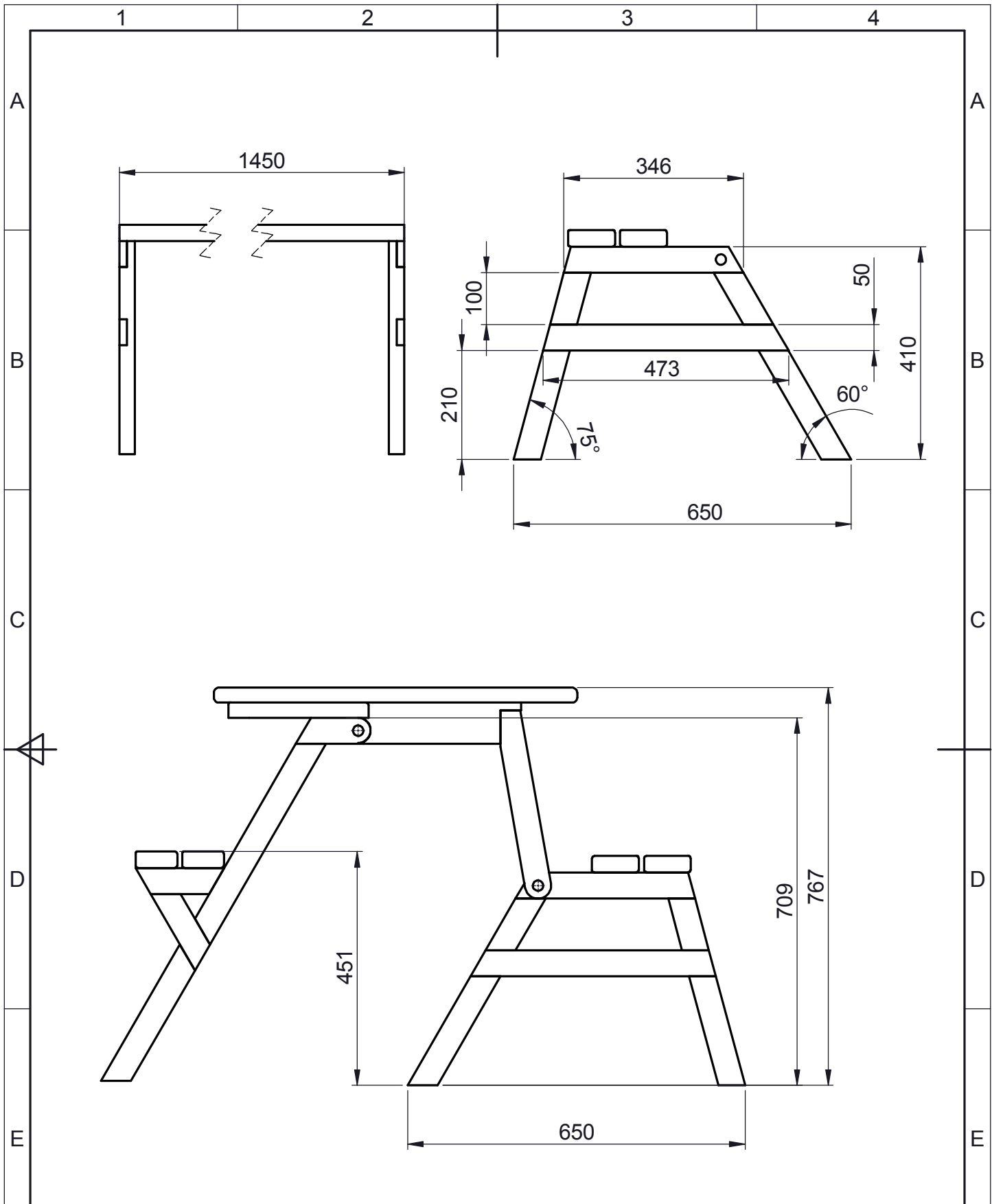
NAME

SIGNATURE

DATE

TITLE:

SOLIDWORKS Student License
Academic Use Only



Alg. tolerantie:
ISO 2768-



Getekend :

Gezien

Klas:

Datum :
16-8-2016

Eenheid : mm



KU LEUVEN



Schaal :
1:10

Formaat :
A4

