

E

D

C

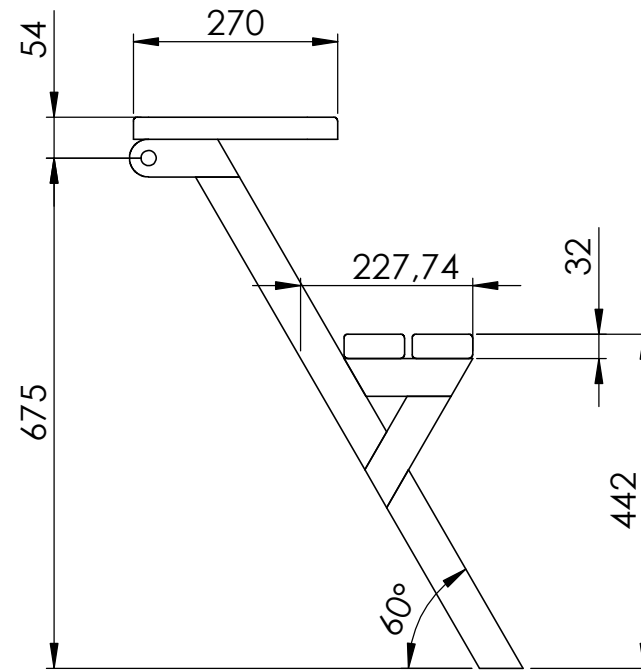
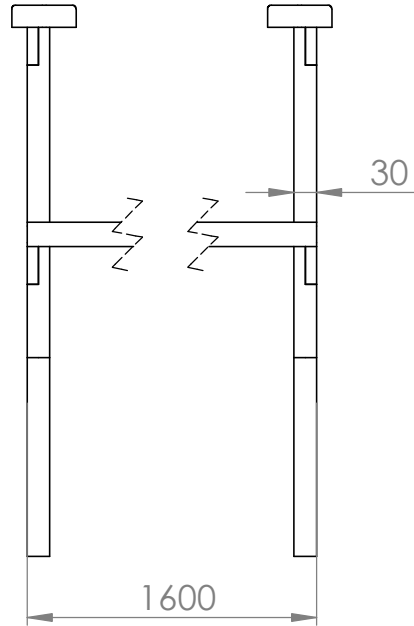
B

E

D

C

B



UNLESS OTHERWISE SPECIFIED:
DIMENSIONS ARE IN MILLIMETERS

FINISH:

DEBURR AND
BREAK SHARP
EDGES

DO NOT SCALE DRAWING

REVISION

LINEAR:
ANGULAR:

NAME

SIGNATURE

DATE

TITLE:

SOLIDWORKS Student License
Academic Use Only