

CUT LIST

| PART | QUANTITY | LENGTH (L) | WIDTH (W) | THICKNESS (T) | MATERIAL |
|------------------|----------|-----------------------|---------------------|---------------------|-------------|
| TOP/BOTTOM FRAME | 2 | 26 1/2" (67.31 CM) | 3 1/2" (8.89 CM) | 3 1/2" (8.89 CM) | DOUGLAS FIR |
| FRONT/BACK FRAME | 2 | 21" (53.34 CM) | 3 1/2" (8.89 CM) | 3 1/2" (8.89 CM) | DOUGLAS FIR |
| BACK REST / SEAT | 3 | 24" (60.96 CM) | 3 1/2" (8.89 CM) | 3 1/2" (8.89 CM) | DOUGLAS FIR |
| SUPPORT STRIPS | 2 | 20" (50.8 CM) | 1 1/2" (3.81 CM) | 1 1/2" (3.81 CM) | WOOD |
| SEAT SLATS | 5 | 26 1/2" (67.31 CM) | 3 1/2" (8.89 CM) | 3 1/2" (8.89 CM) | DOUGLAS FIR |

MATERIALS

LUMBER

- (5) 8' 4X4 DOUGLAS FIR
- (1) 7/8" WOODEN DOWEL
- (1) 2X4 LUMBER

HARDWARE

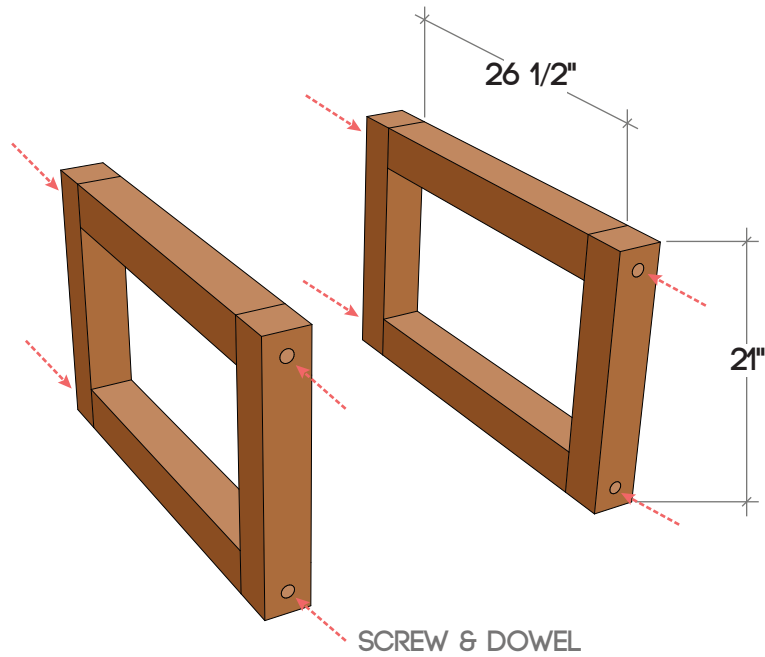
- (14) 5" LAG SCREW
- (24) 3" WEATHER RATED SCREWS
- WOOD GLUE

NOTE: APPLY WOOD GLUE TO ALL JOINTS

VIDEO LINK: [HTTPS://YOUTUBE.COM/CJNW9ZRTFUQ](https://youtu.be/CJNW9ZRTFUQ)

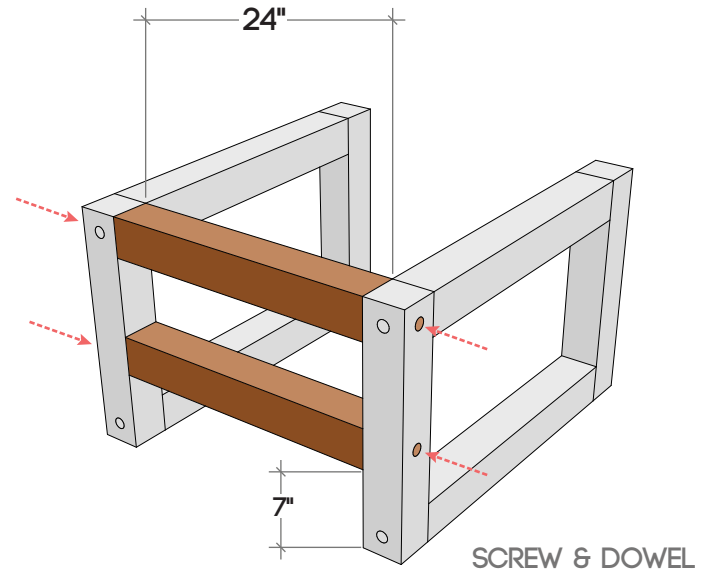
MODERN OUTDOOR CHAIR

1 ASSEMBLE FRAME FOR ARMRESTS



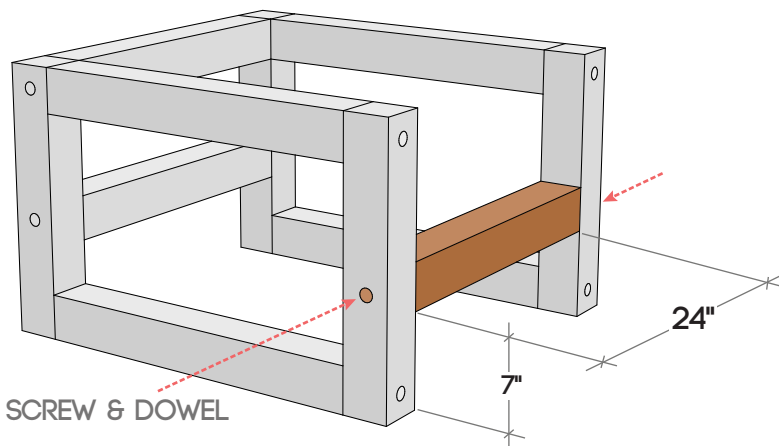
- (4) 26 1/2" x 3 1/2" x 3 1/2" DOUGLAS FIR (TOP AND BOTTOM)
- (4) 21" x 3 1/2" x 3 1/2" DOUGLAS FIR (FRONT AND BACK)
- (8) 5" LAG SCREWS
- (1) 7/8" WOODEN DOWEL (CUT TO FILL HOLES)

2 ATTACH BACKREST AND SEAT SUPPORT



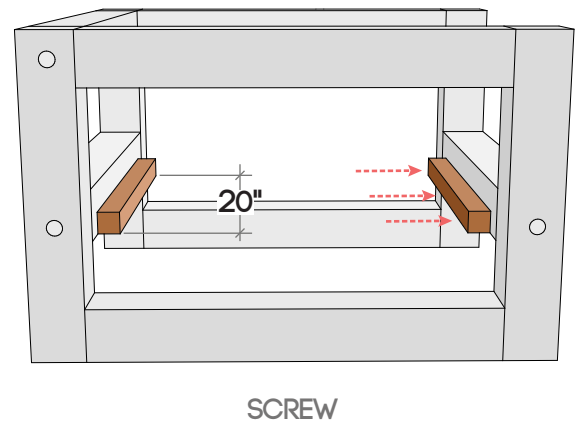
- (2) 24" x 3 1/2" x 3 1/2" DOUGLAS FIR
- (4) 5" LAG SCREWS
- (1) 7/8" WOODEN DOWEL (CUT TO FILL HOLES)

3 ATTACH FRONT SEAT SUPPORT



- (1) 24" x 3 1/2" x 3 1/2" DOUGLAS FIR
- (2) 5" LAG SCREWS
- (1) 7/8" WOODEN DOWEL (CUT TO FILL HOLES)

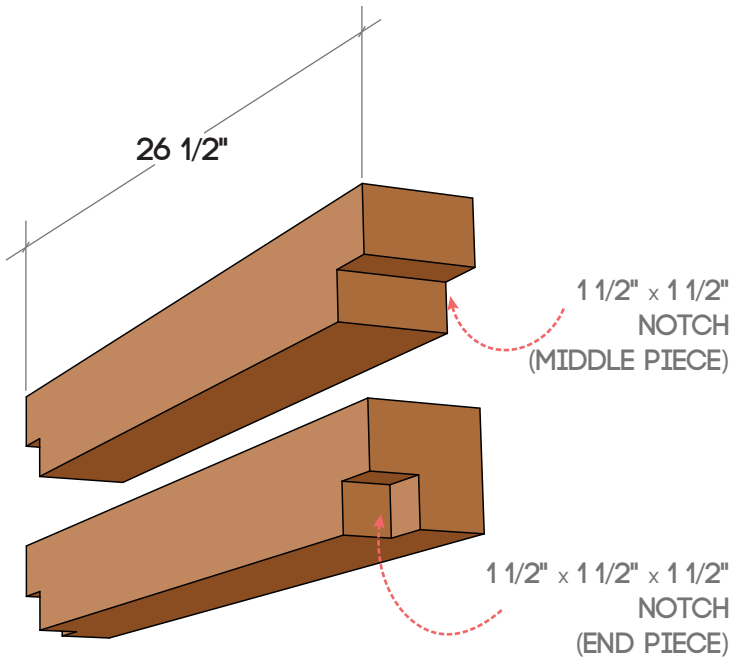
4 ATTACH SUPPORT STRIPS



- (1) 20" x 1 1/2" x 1 1/2" DOUGLAS FIR
(CUT THE 2X4 DOWN THE CENTER)
- (8) 3" WEATHER RATED SCREWS

MODERN OUTDOOR CHAIR

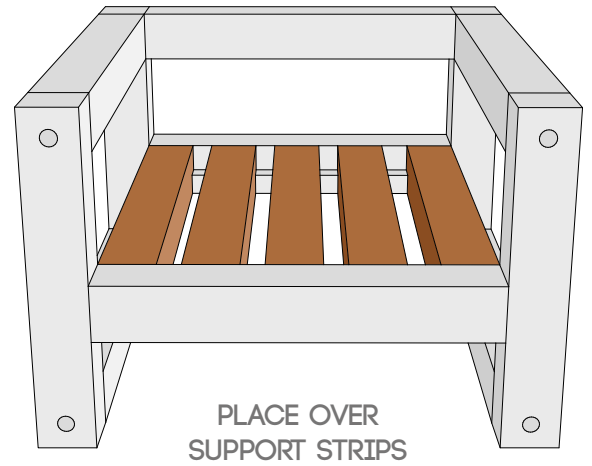
5 SEAT SLAT CUT OUT



(3) 26 1/2" x 3 1/2" x 3 1/2" DOUGLAS FIR (MIDDLE PIECES)

(2) 26 1/2" x 3 1/2" x 3 1/2" DOUGLAS FIR (END PIECES)

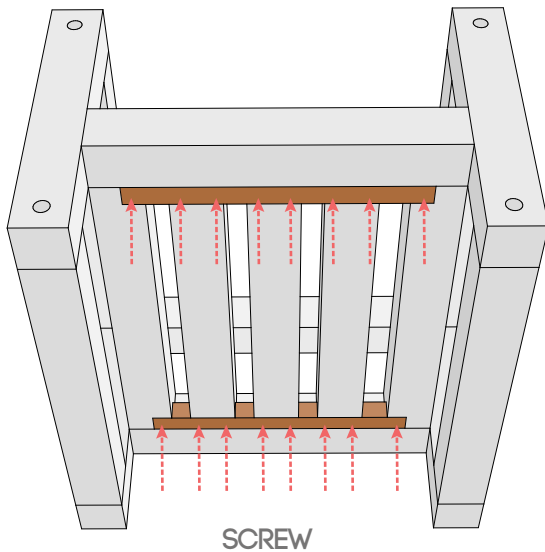
6 PLACE SEAT SLATS ON SUPPORT STRIPS



(3) 26 1/2" x 3 1/2" x 3 1/2" DOUGLAS FIR (MIDDLE PIECES)

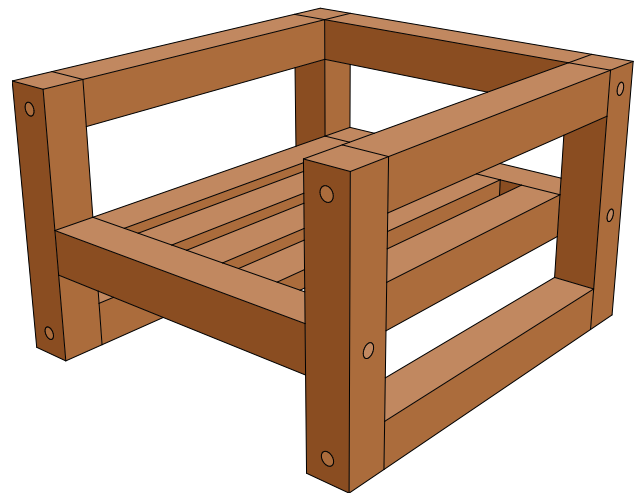
(2) 26 1/2" x 3 1/2" x 3 1/2" DOUGLAS FIR (END PIECES)

7 SECURE SLATS INTO PLACE



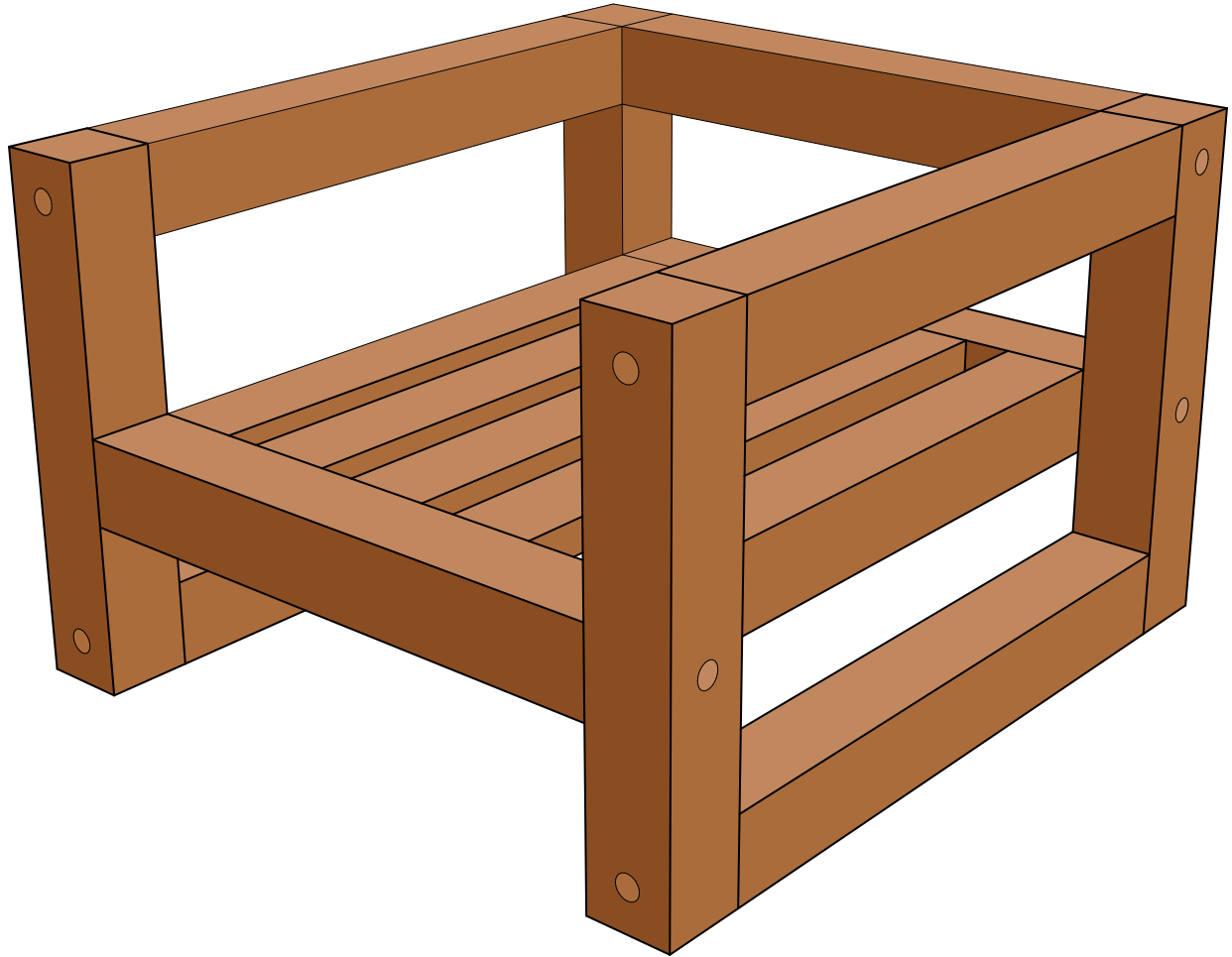
(16) 3" OUTDOOR SCREWS

8 APPLY DESIRED FINISH



ENJOY YOUR MODERN OUTDOOR CHAIR !

MODERN OUTDOOR CHAIR



[DIYCREATORS.COM](https://www.diycreators.com)



[YOUTUBE.COM/DIYCREATORS](https://www.youtube.com/diycreators)



[INSTAGRAM.COM/MOREDIYCREATORS](https://www.instagram.com/morediycreators)



[INFO@DIYCREATORS.COM](mailto:info@diycreators.com)

VIDEO LINK: [HTTPS://YOUTU.BE/CJNW9ZRTFUQ](https://youtu.be/cjnw9zrtfug)