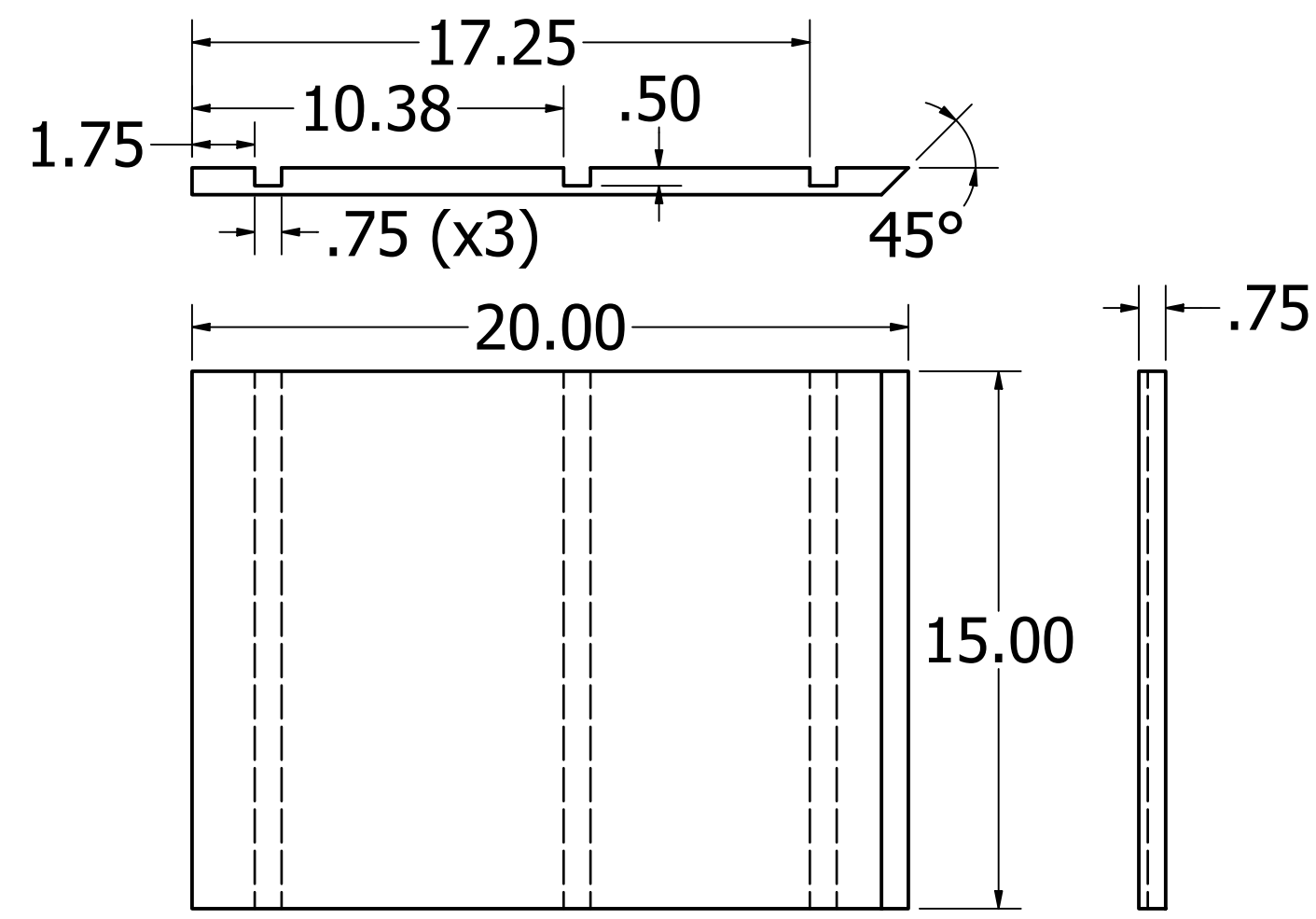
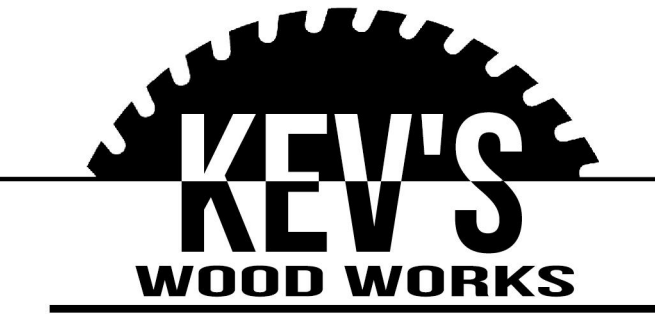
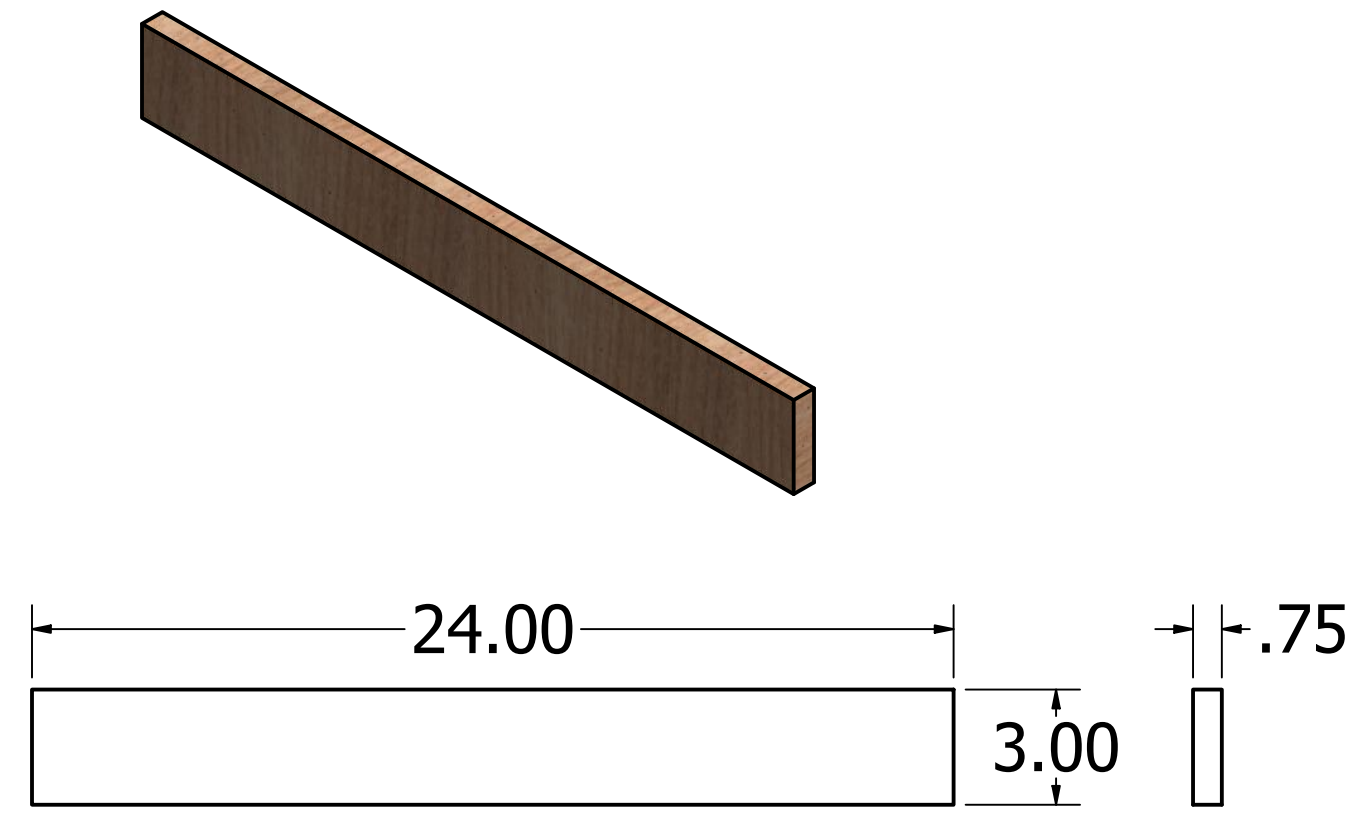


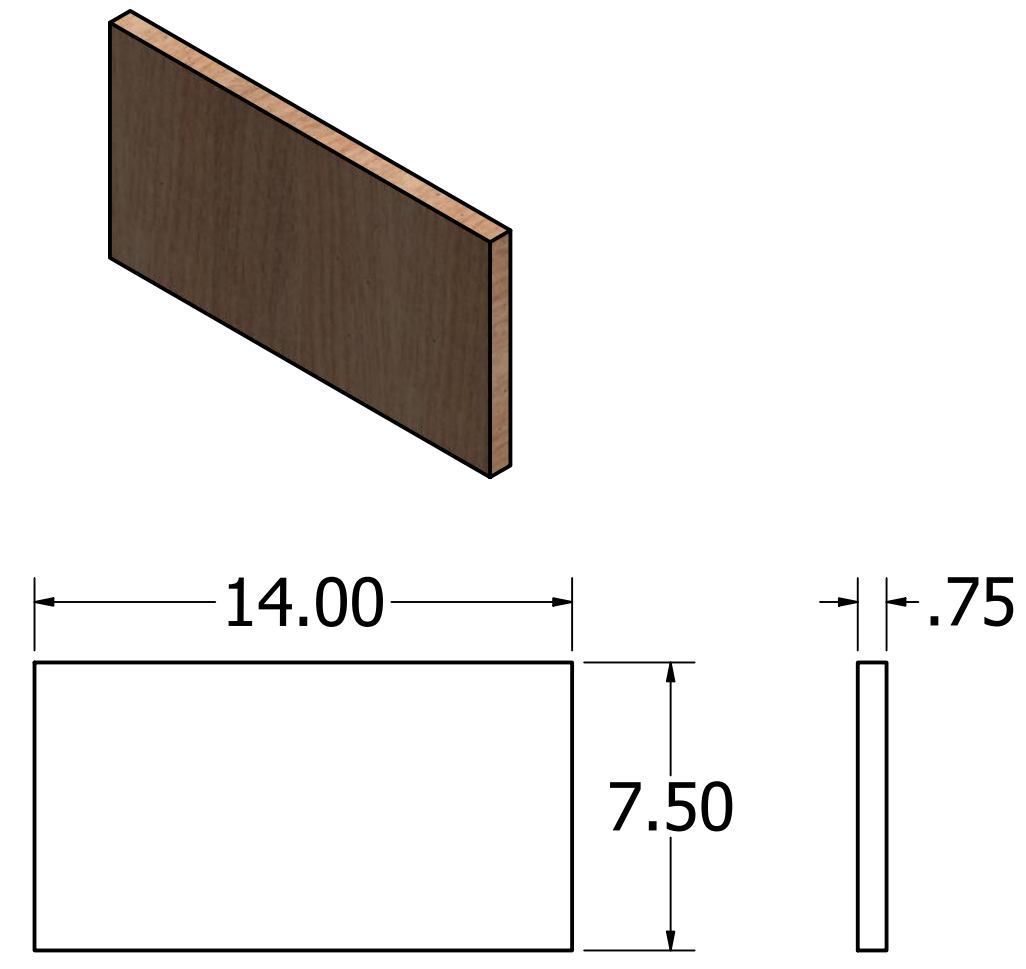
Kevin Culver	4/30/2021	www.kevswoodworks.com kev@kcwworks.com		
		TITLE		
		Box Sled		
		SIZE	DWG NO	REV
		D	Box_Sled	
		SCALE	.375	SHEET 1 OF 5



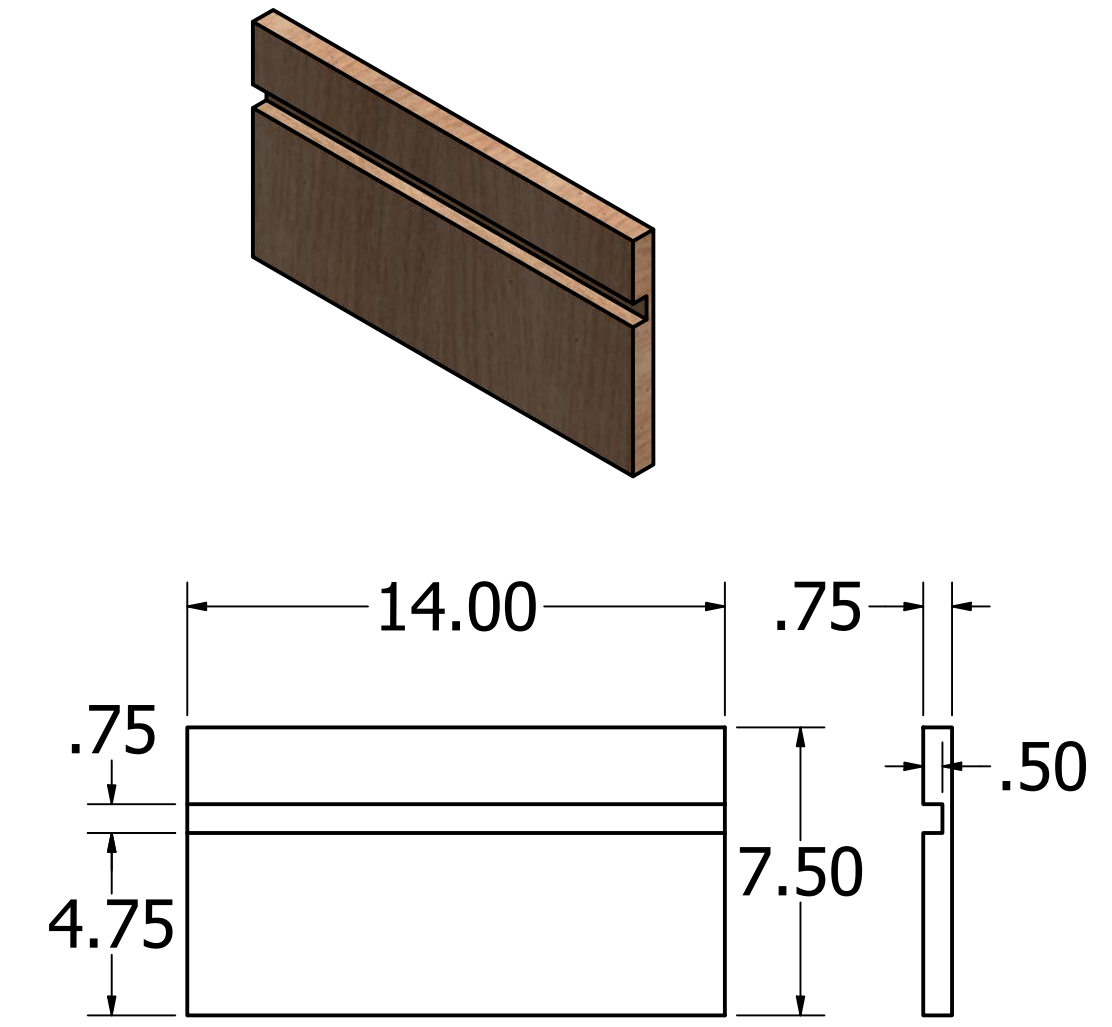
Base



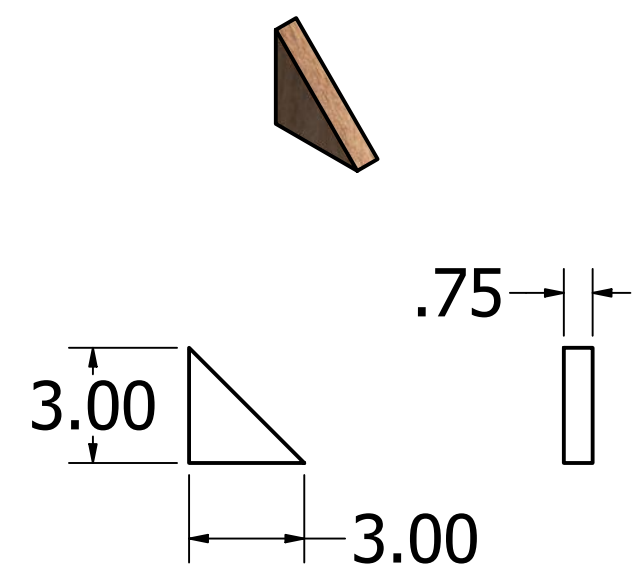
Fence (x4)



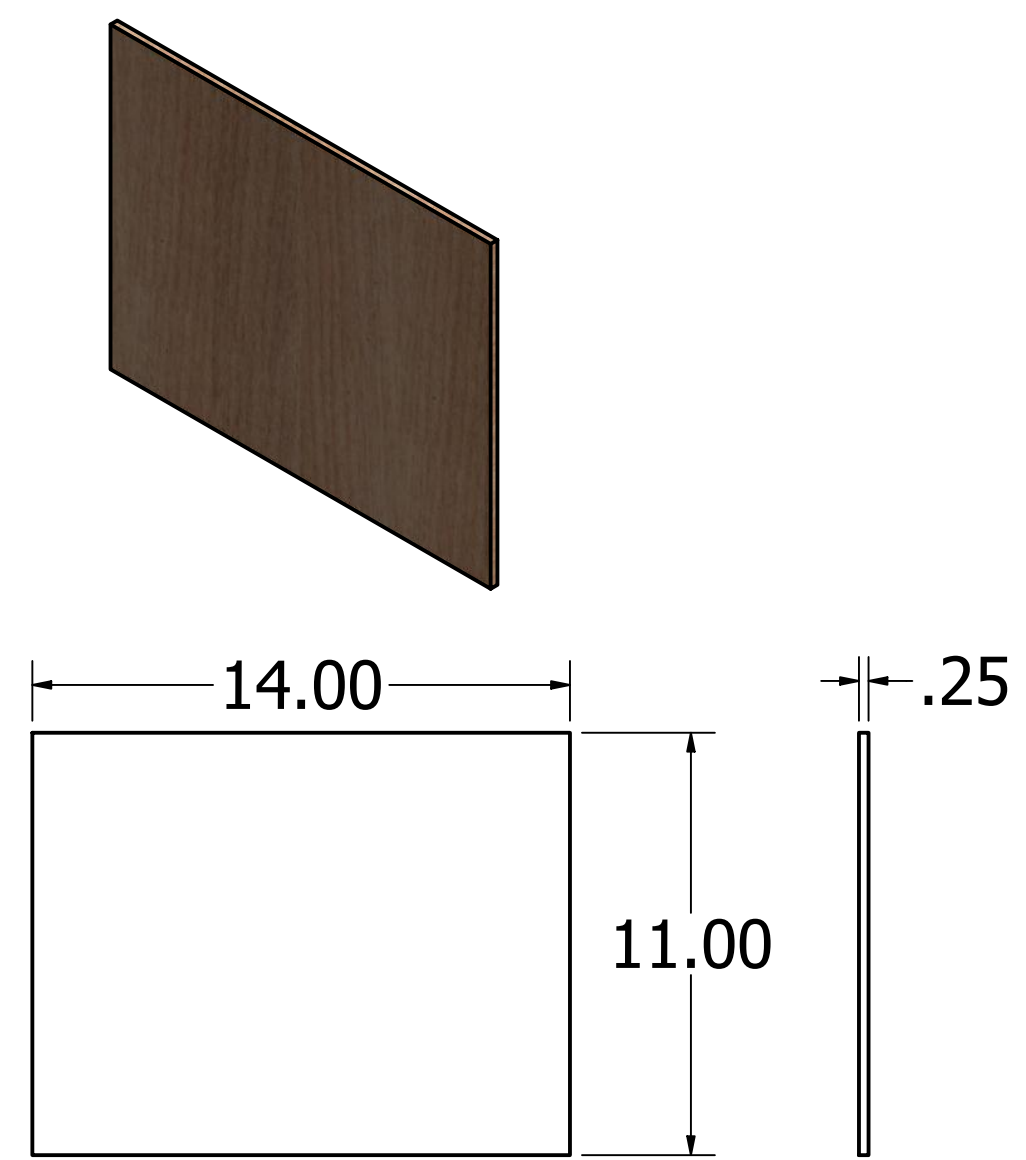
Spline Jig Base



Spline Jig Base

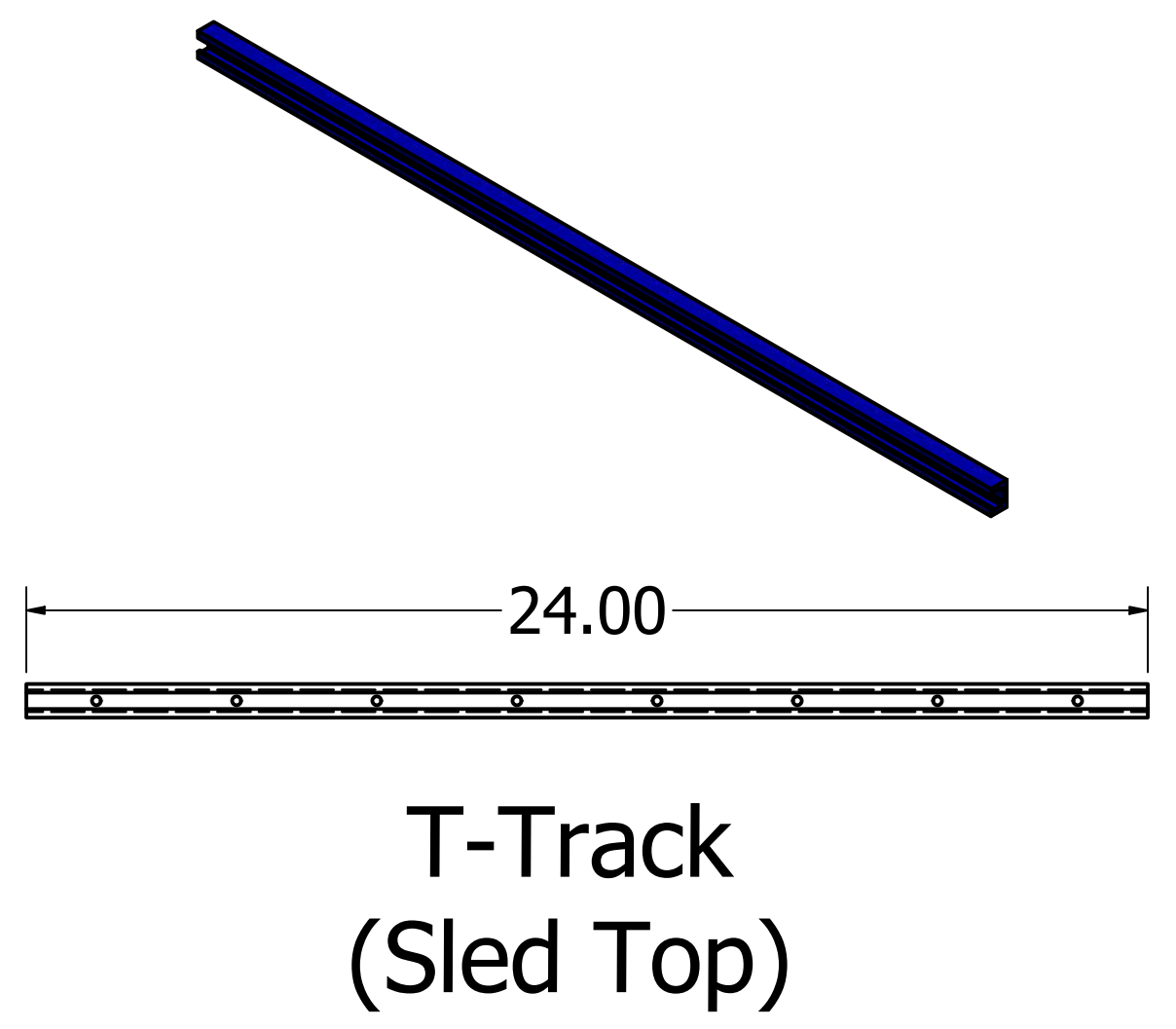
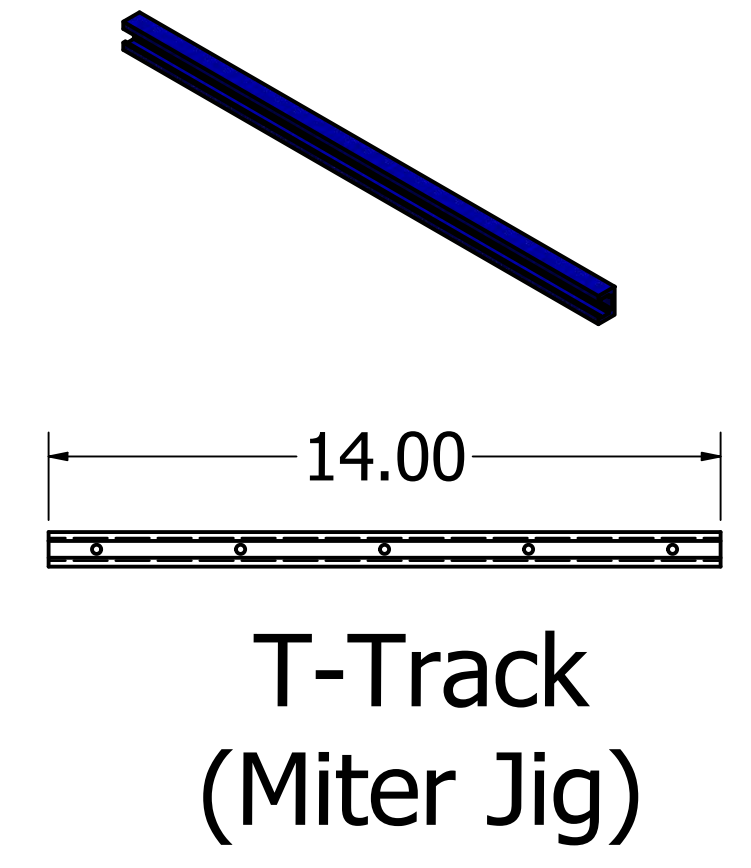
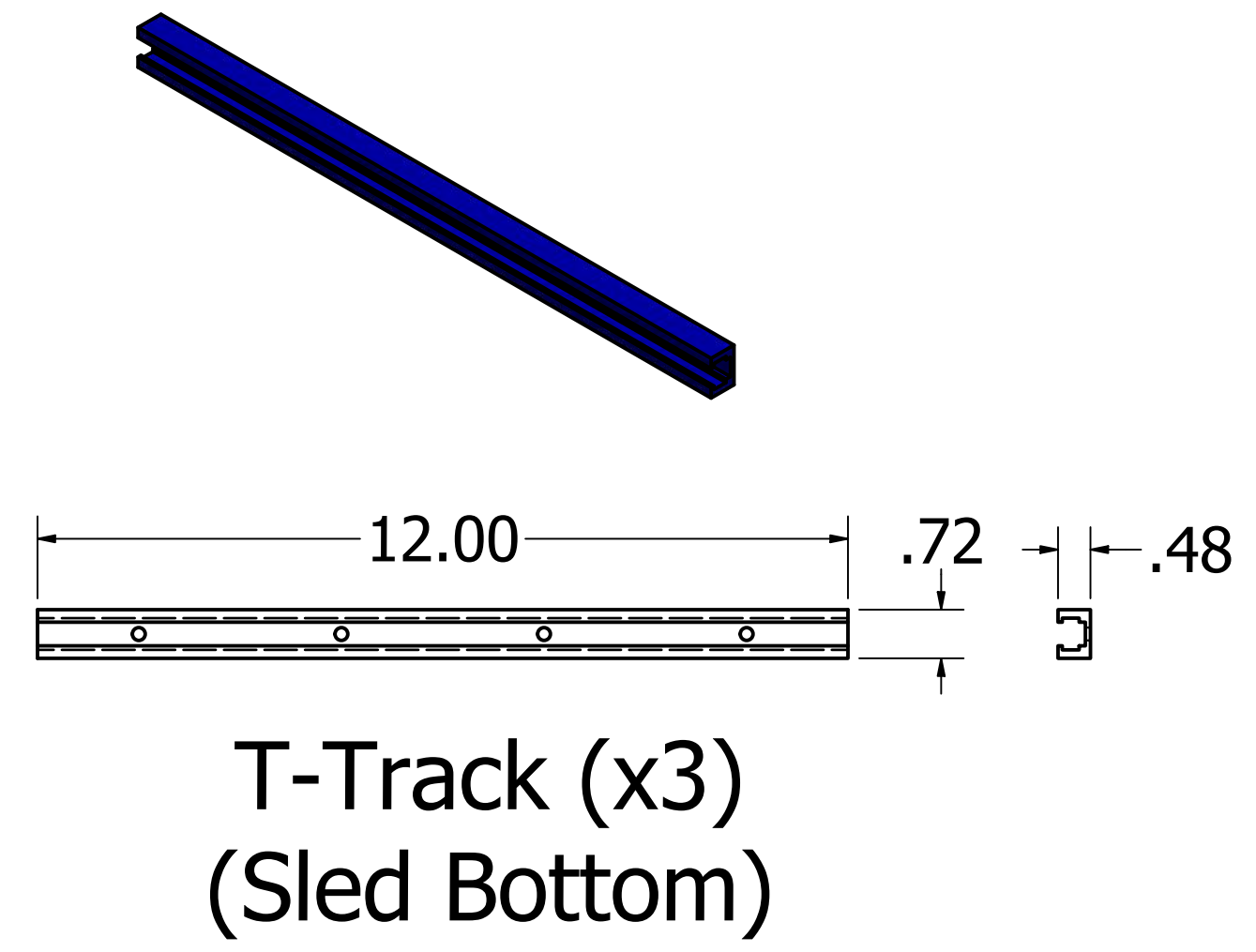
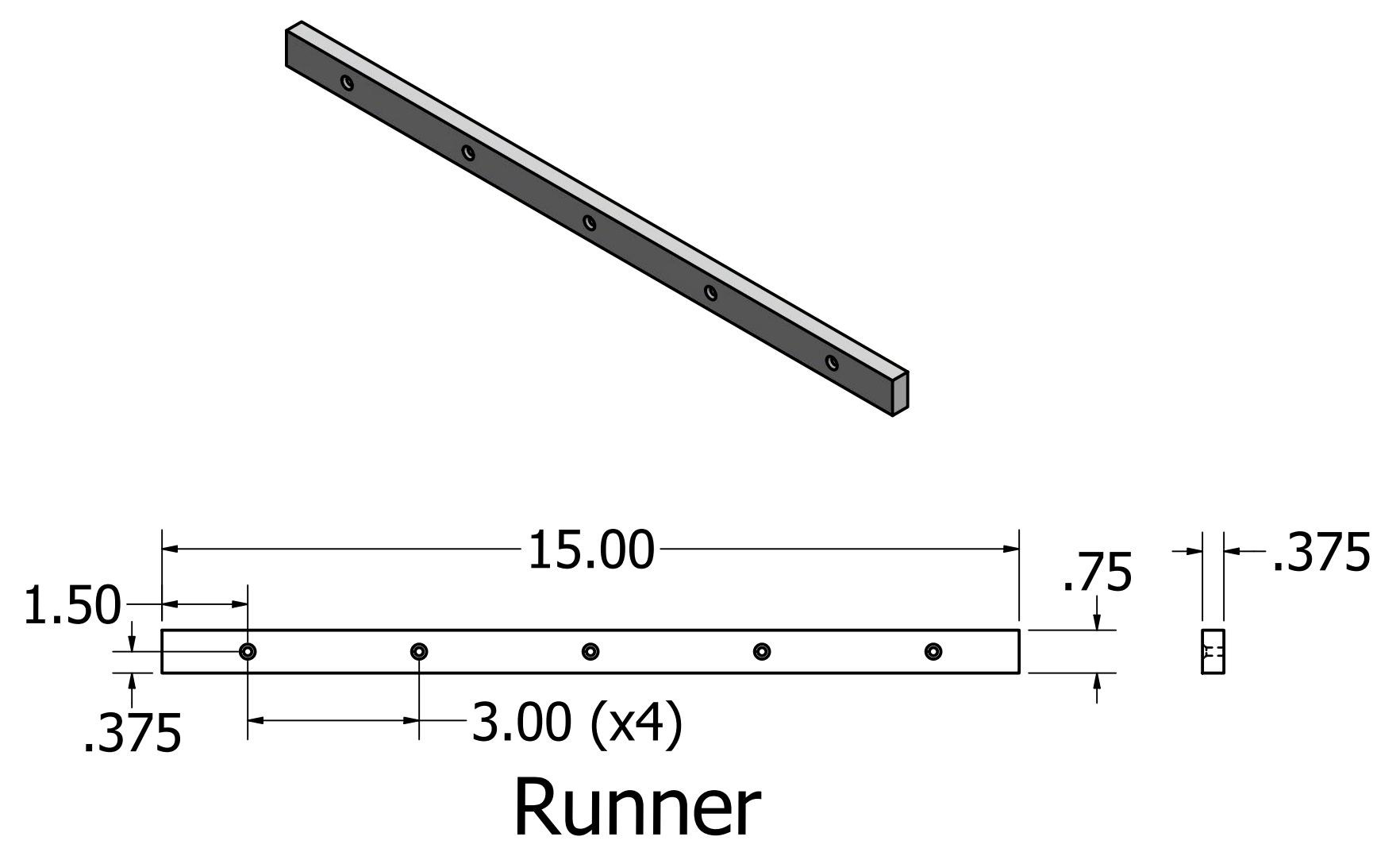
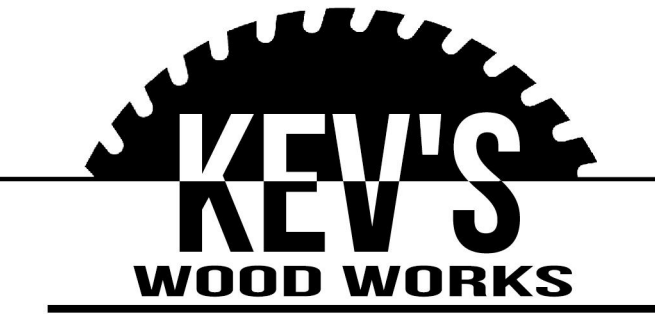


Triangle (x8)

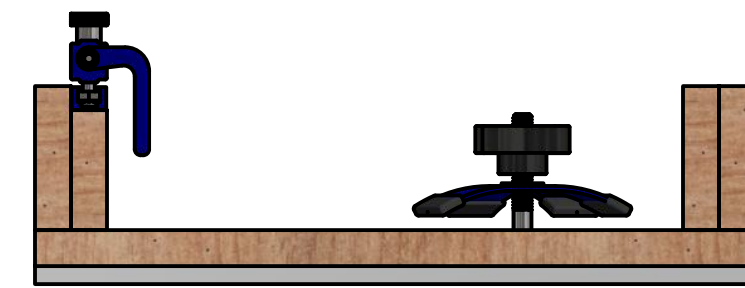
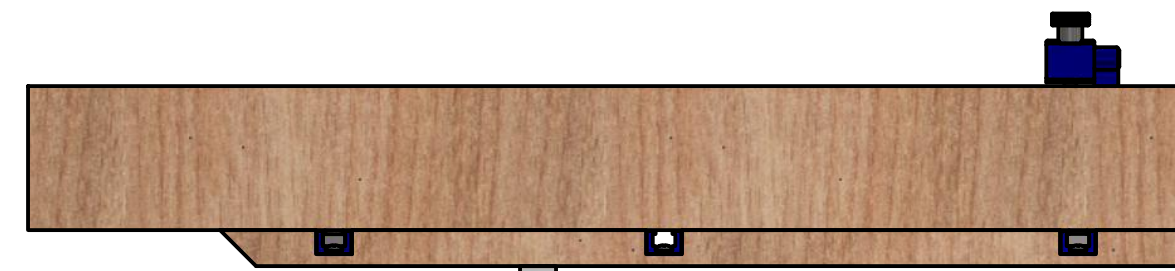
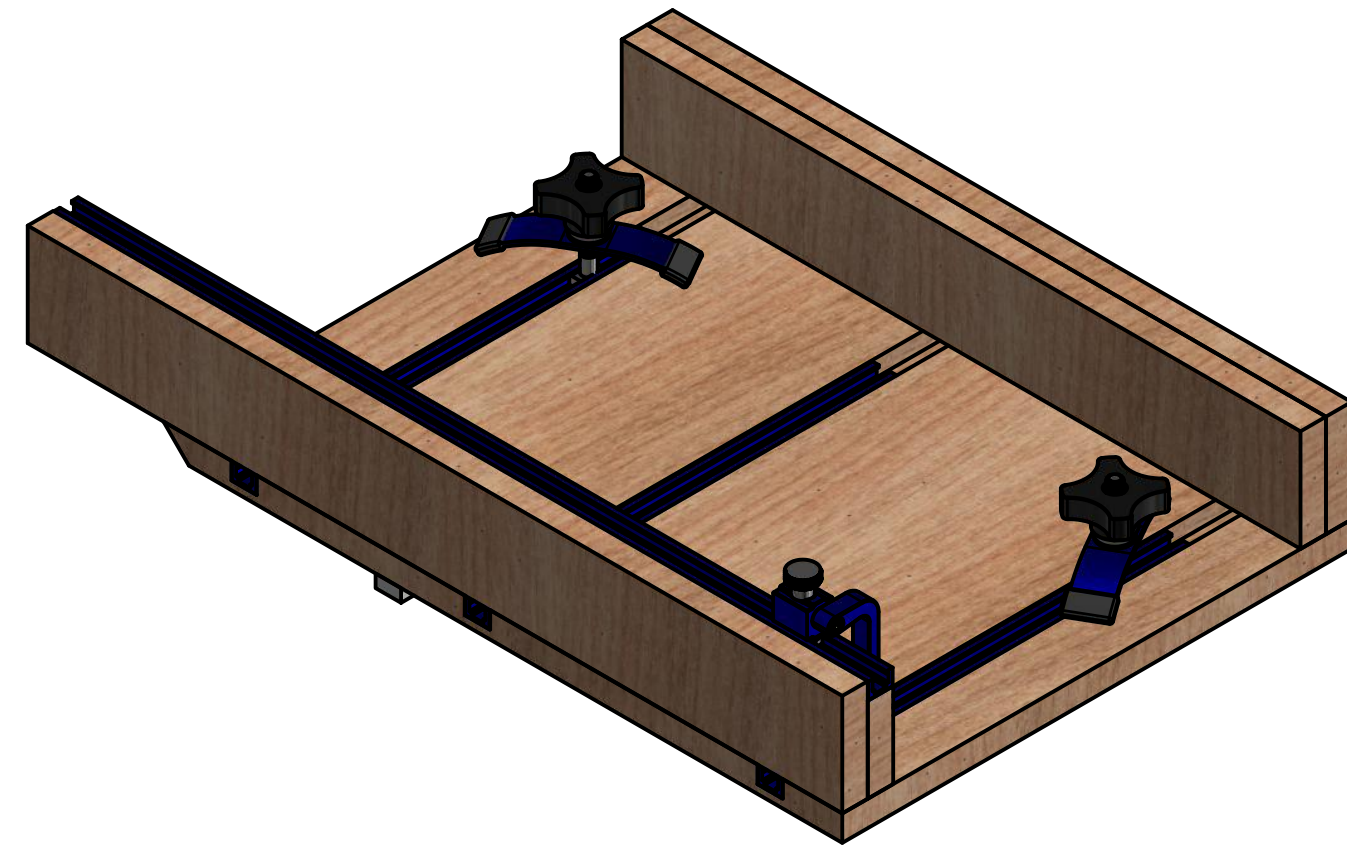
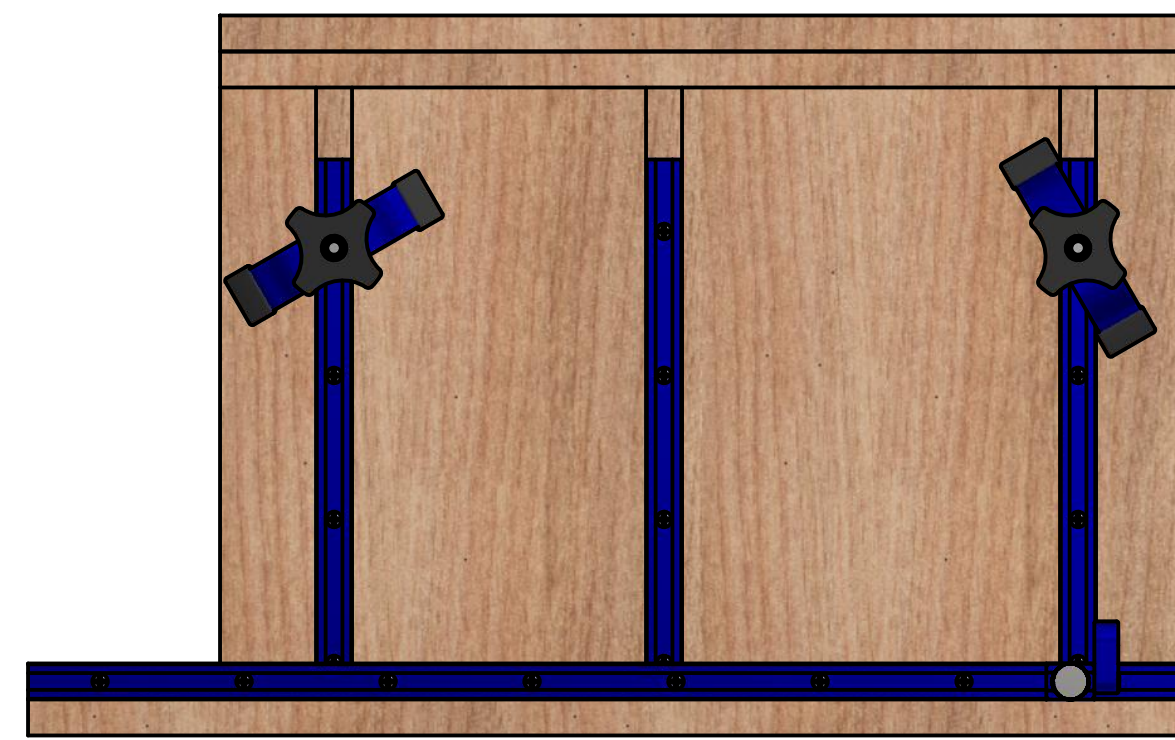
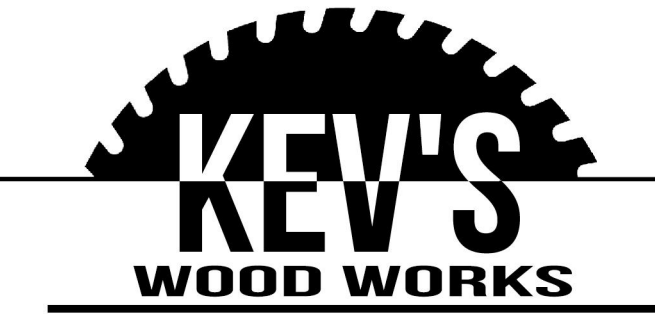


Spline Miter Base Platform

Kevin Culver	4/30/2021	www.kevswoodworks.com kev@kcworks.com		
		TITLE		
		Box Sled		
		SIZE	DWG NO	REV
		D	Box_Sled	
		SCALE	2	SHEET 2 OF 5

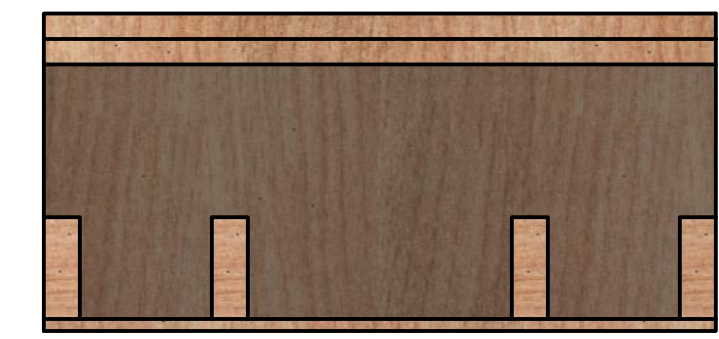
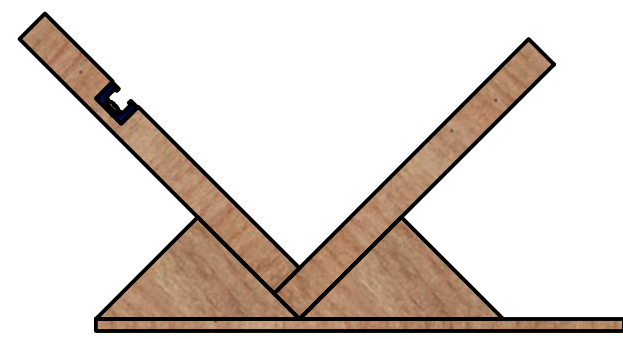
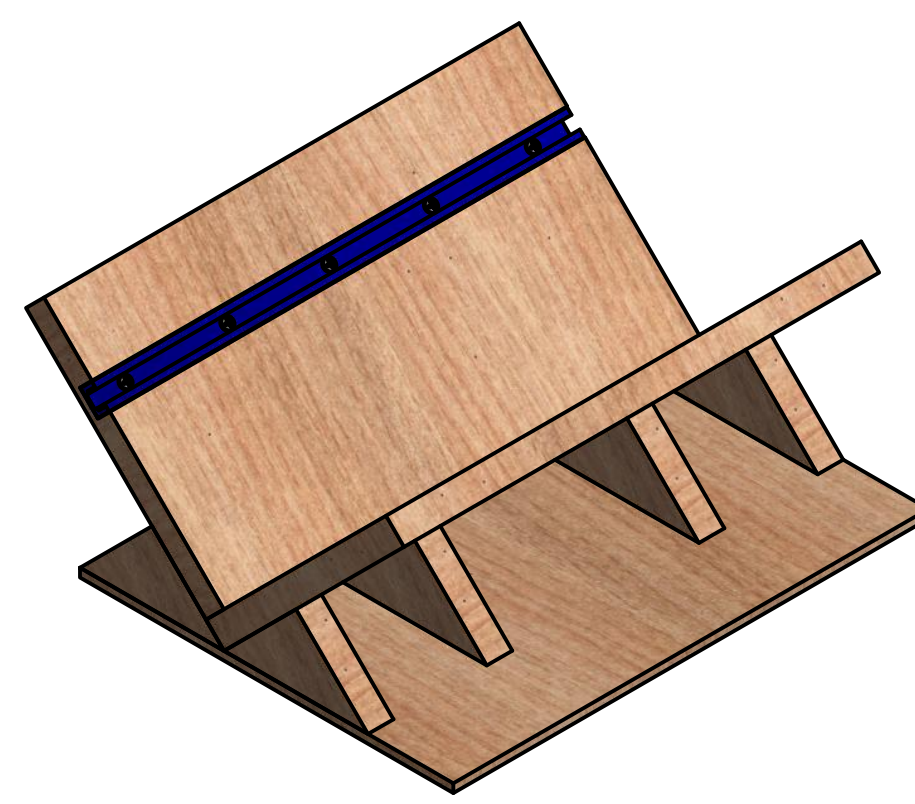
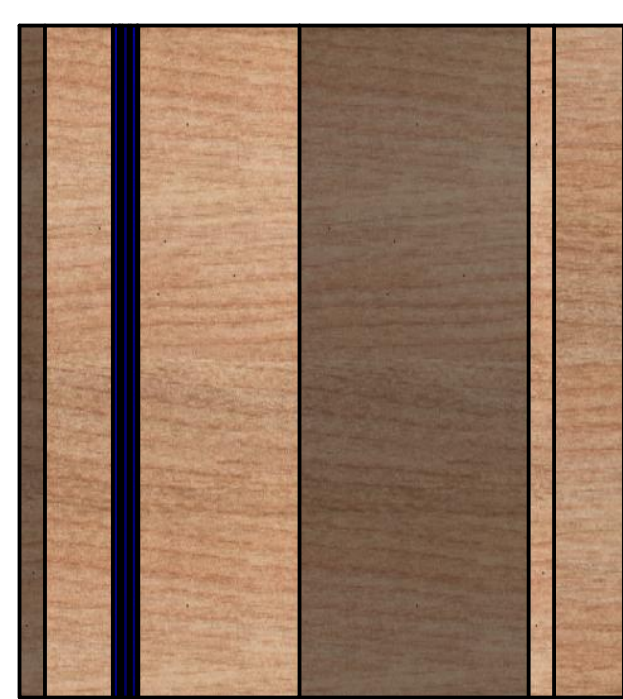


Kevin Culver	4/30/2021	www.kevswoodworks.com kev@kcworks.com		
		TITLE		
		Box Sled		
		SIZE	DWG NO	REV
		D	Box_Sled	
		SCALE	.375	SHEET 3 OF 5



# Sled Assy

Kevin Culver	4/30/2021	www.kevswoodworks.com kev@kcworks.com		
		TITLE		
		Box Sled		
		SIZE	DWG NO	REV
		D	Box_Sled	
		SCALE	.25	SHEET 4 OF 5



# Spline Jig Assy

Kevin Culver	4/30/2021	www.kevswoodworks.com kev@kcwworks.com		
		TITLE		
		Box Sled		
		SIZE	DWG NO	REV
		D	Box_Sled	
		SCALE	.25	SHEET 5 OF 5