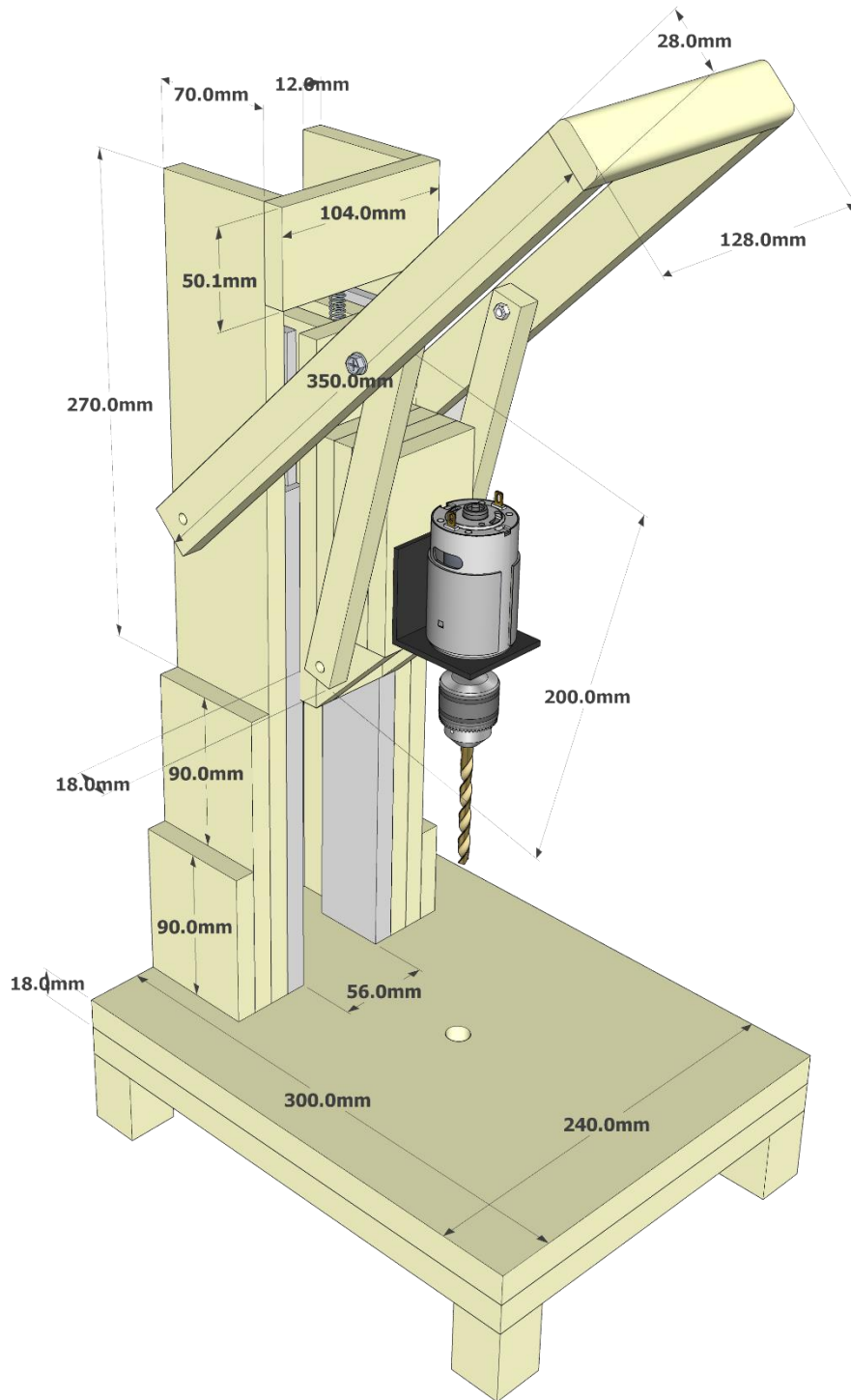
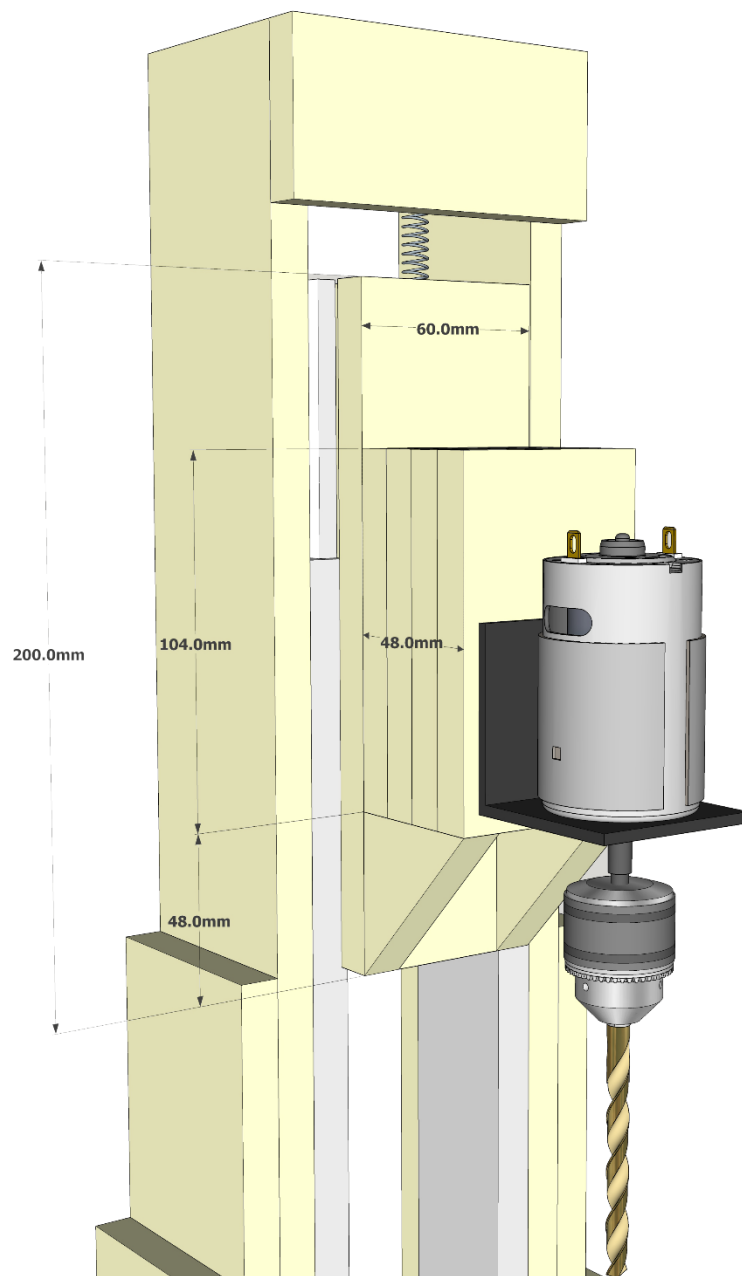




# DIY DRILL PRESS DIMENSIONS

[YOUTUBE.COM/DIYPERSPECTIVE](https://www.youtube.com/diyperspective)





Full build video and testing - <https://youtu.be/WDvBVwz5nIE>

**You can follow me:**

YouTube: <https://www.youtube.com/diyperspective>

Instructables: <https://www.instructables.com/member/diyperspective>

Instagram: <https://www.instagram.com/diyperspective>

Facebook: <https://www.facebook.com/diyperspective>

Twitter: <https://twitter.com/diyperspective>