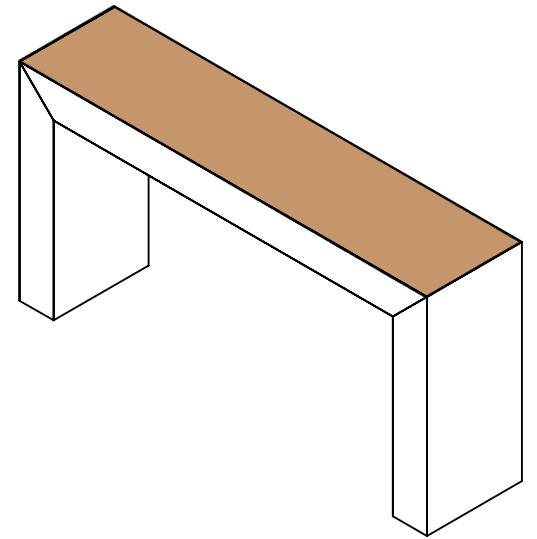
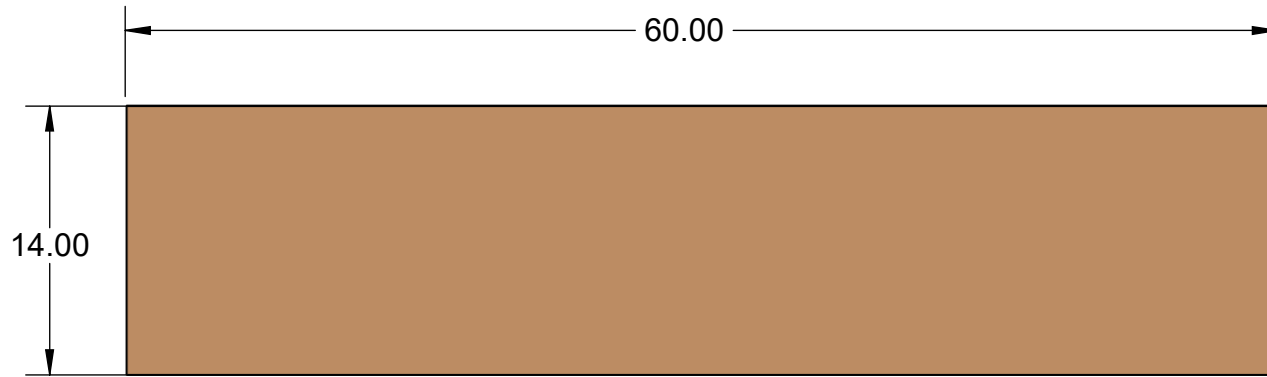
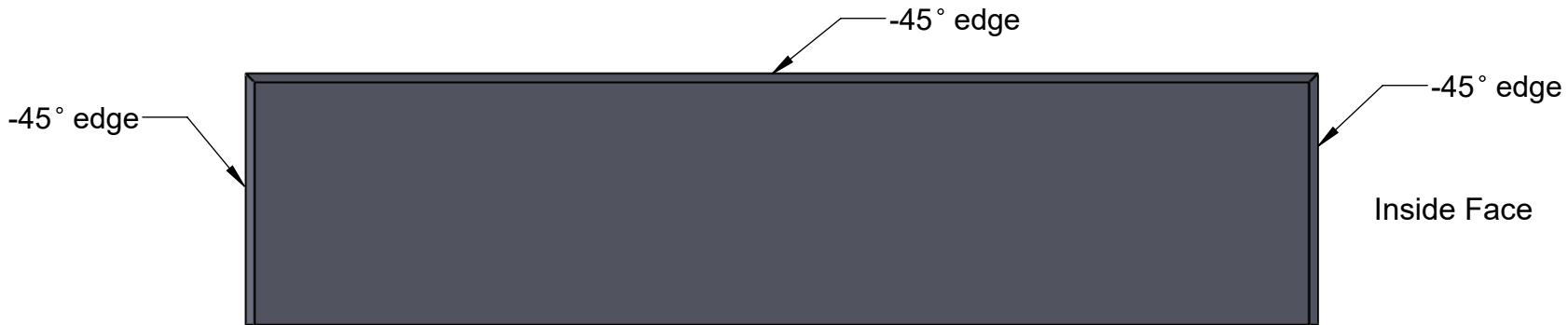


# Top Outer Panel

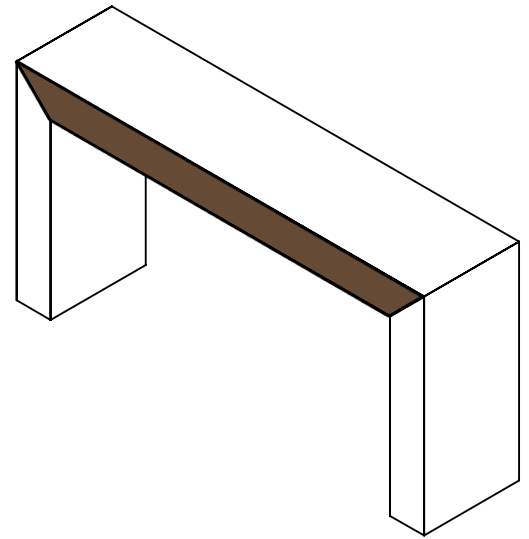
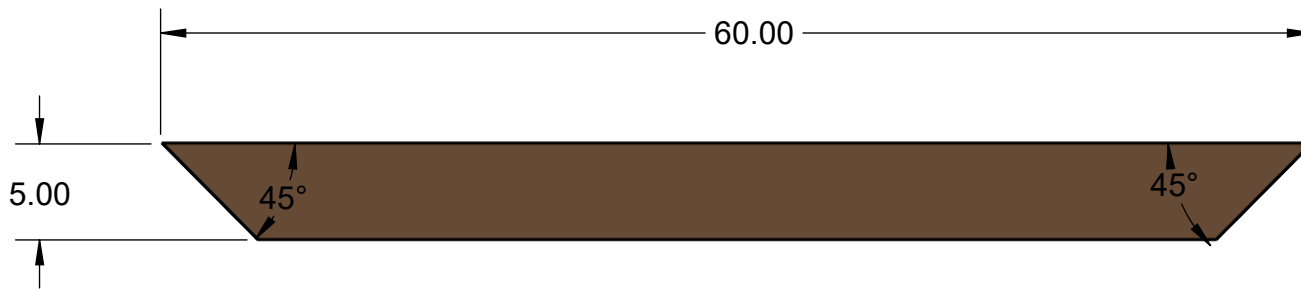


Outside Face

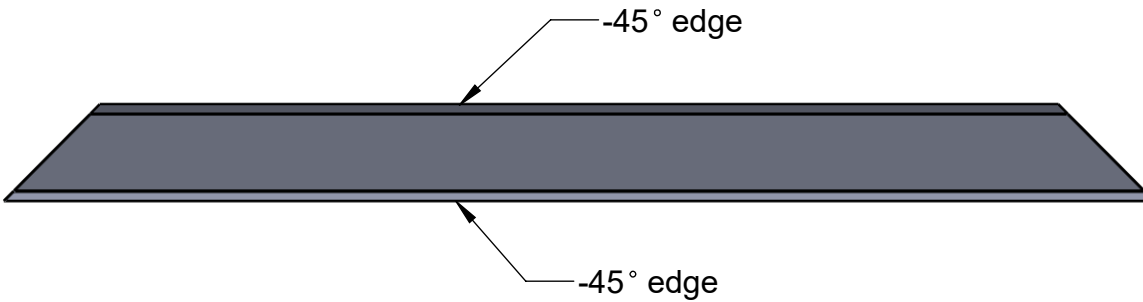


Inside Face

# Top Front Panel

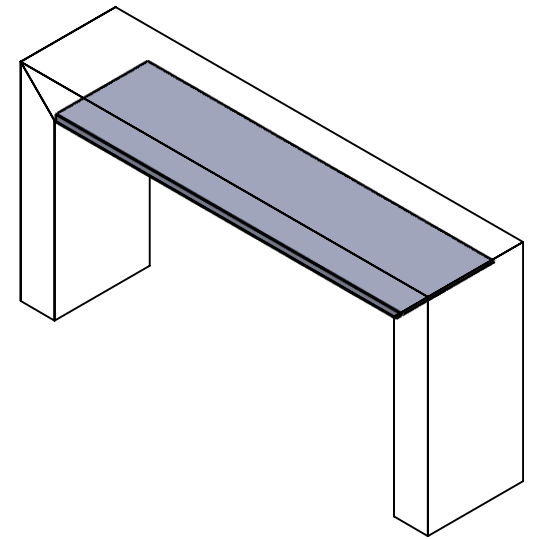
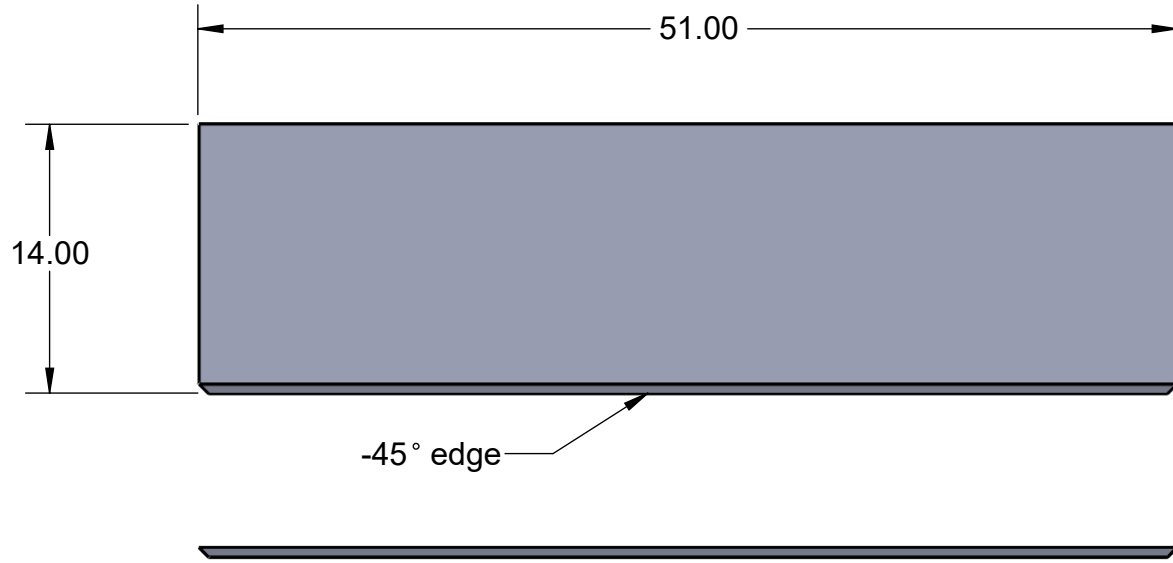


Outside Face

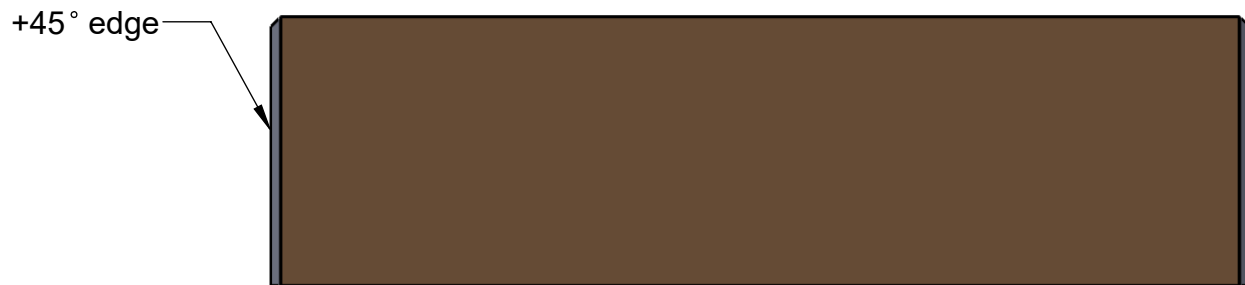


Inside Face

# Top Inner Panel



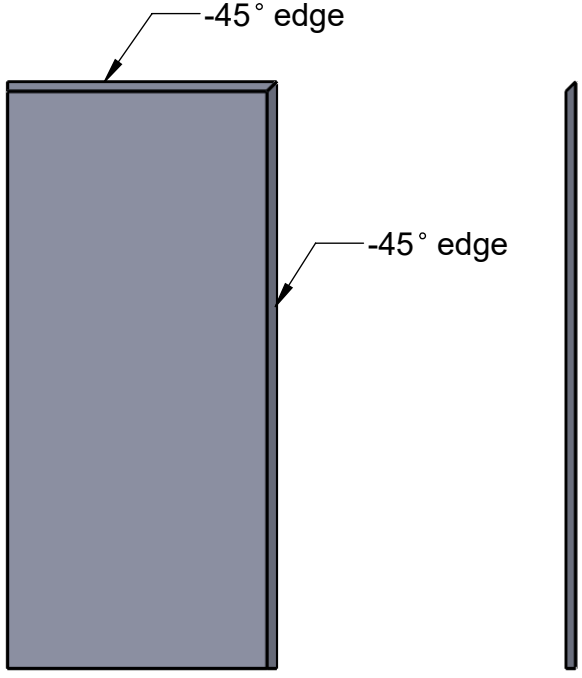
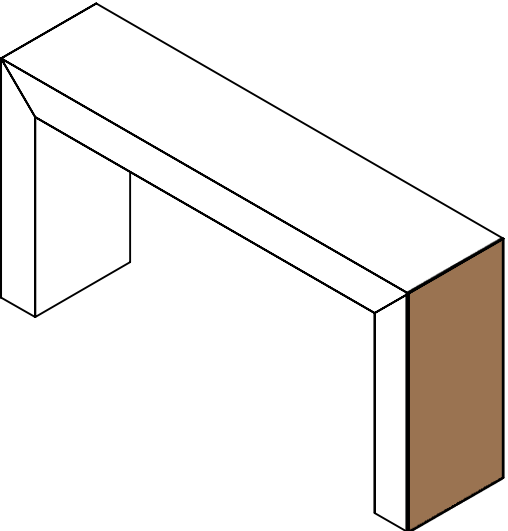
Inside Face



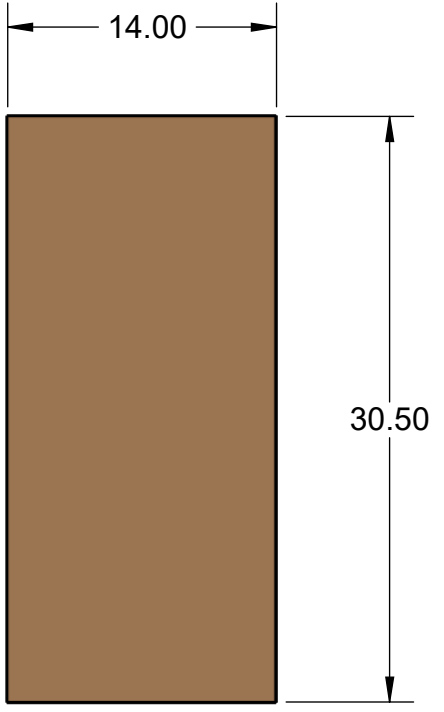
+45° edge

Outside Face

# Right Outer Panel

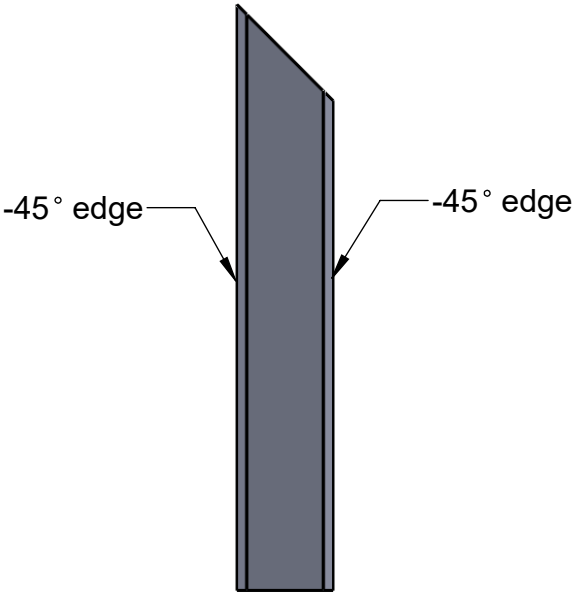
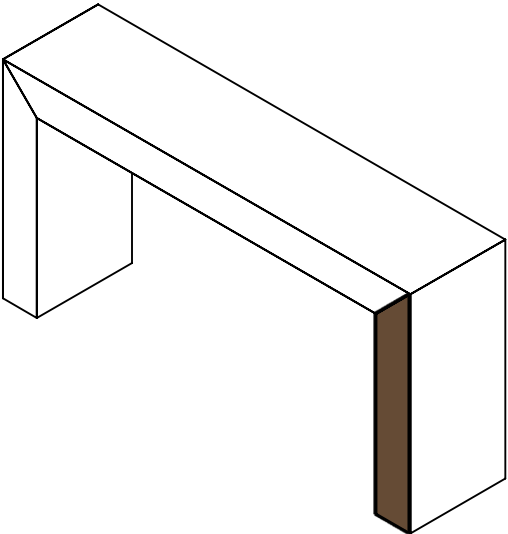


Inside Face

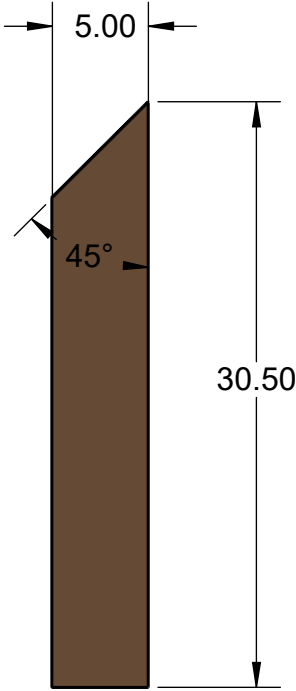


Outside Face

# Right Front Panel

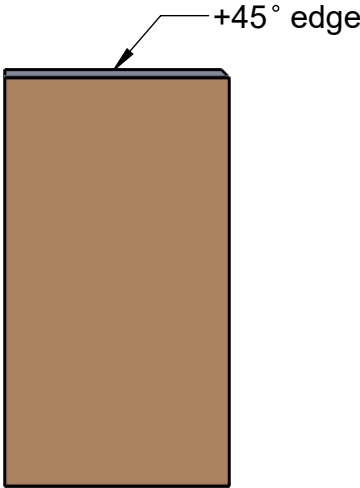
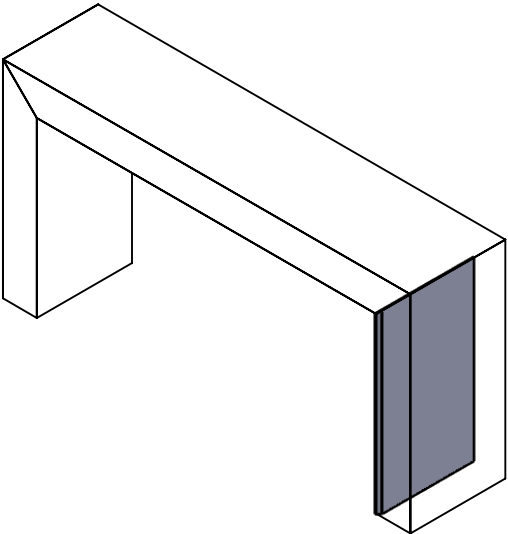


Inside Face

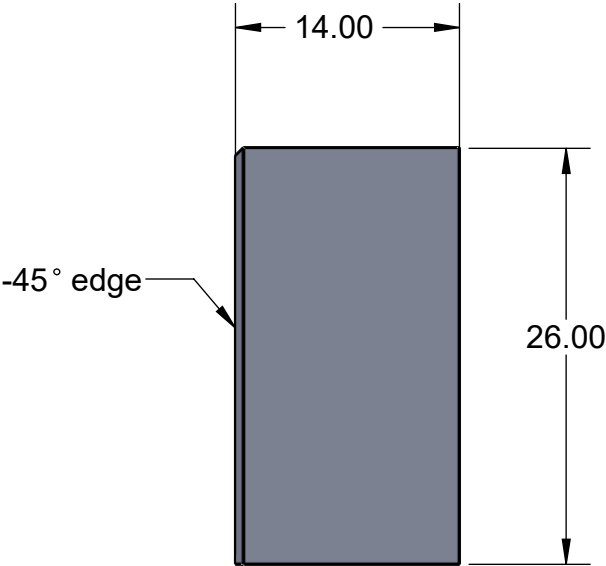


Outside Face

# Right Inner Panel

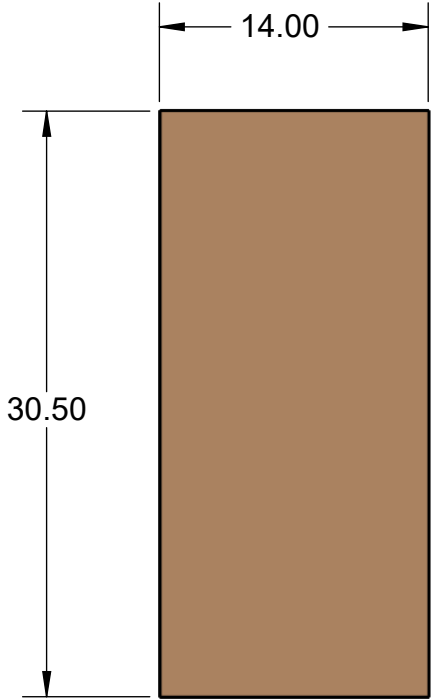


Outside Face



Inside Face

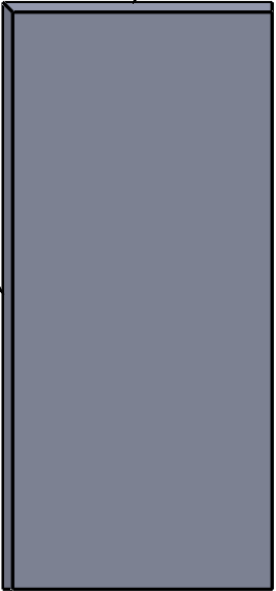
# Left Outer Panel



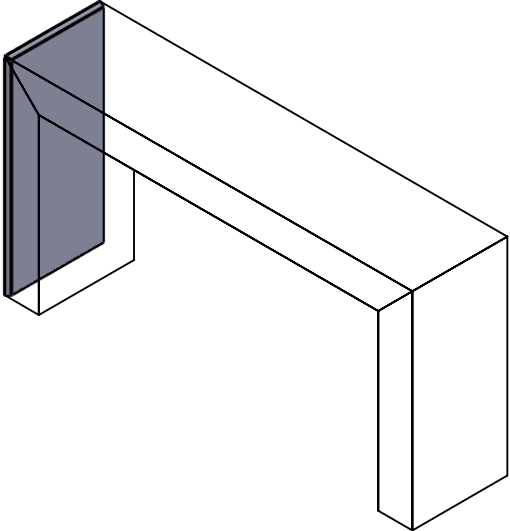
Outside Face



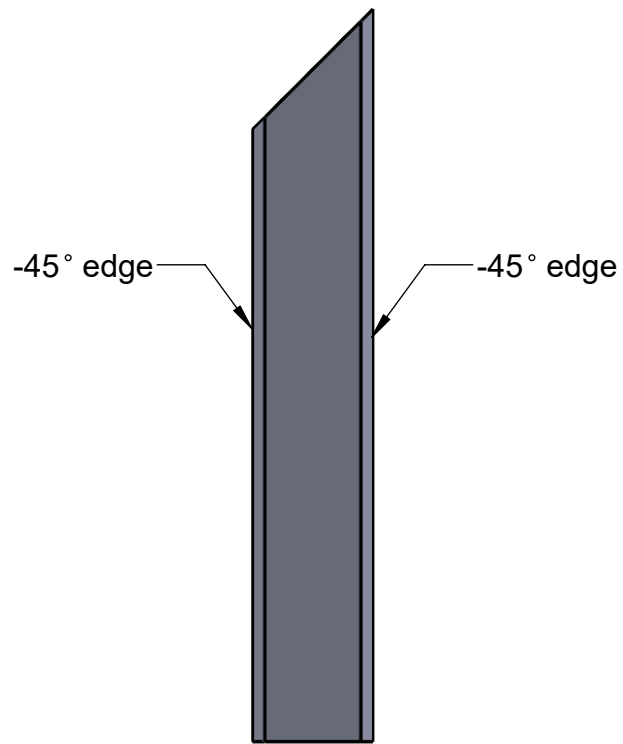
-45° edge



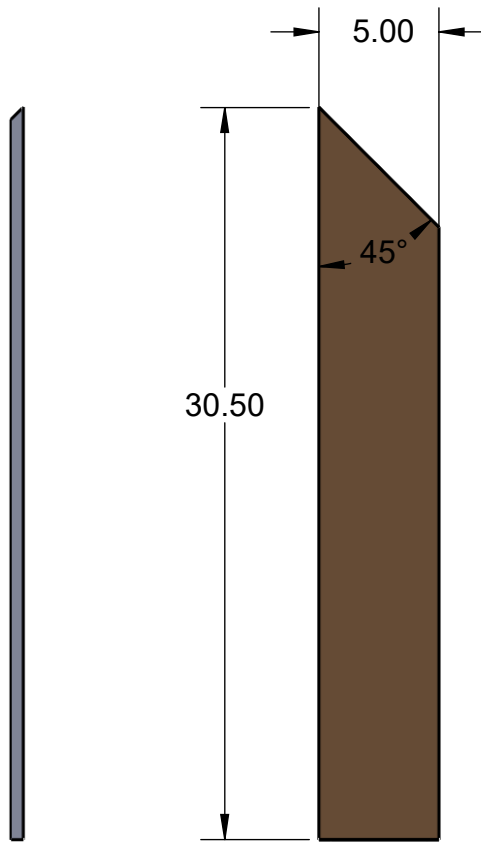
Inside Face



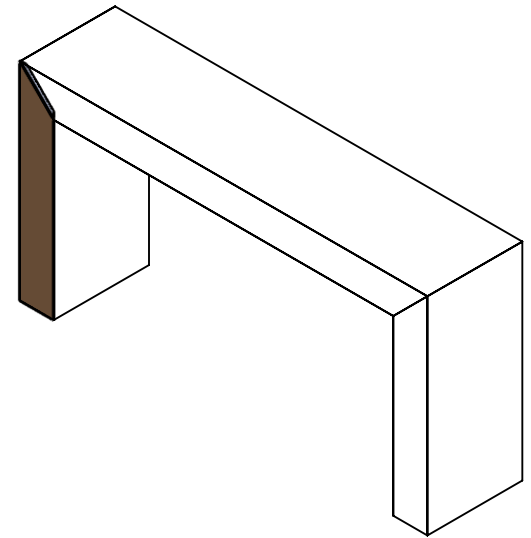
# Left Front Panel



Inside Face



Outside Face





# Left Inner Panel

