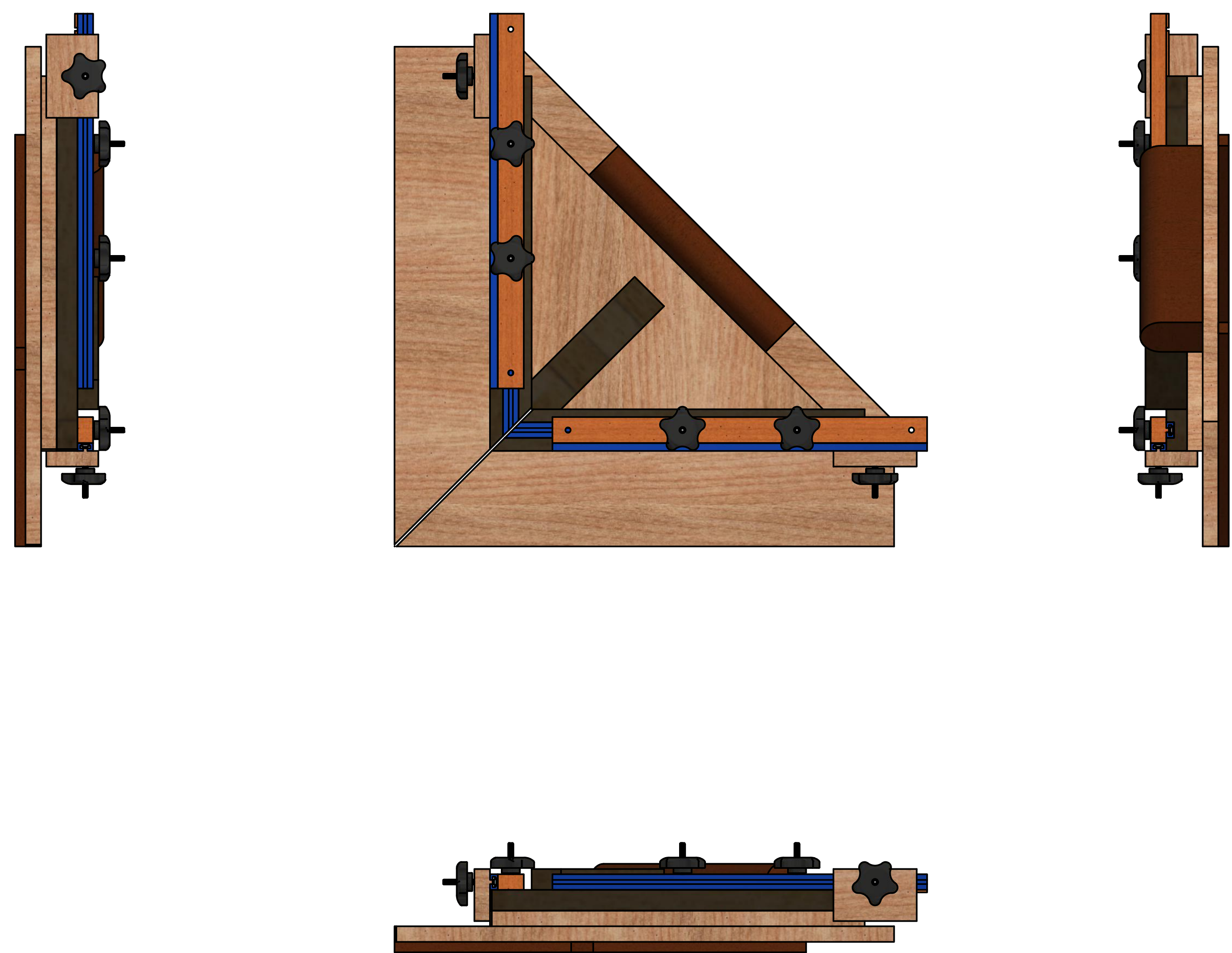
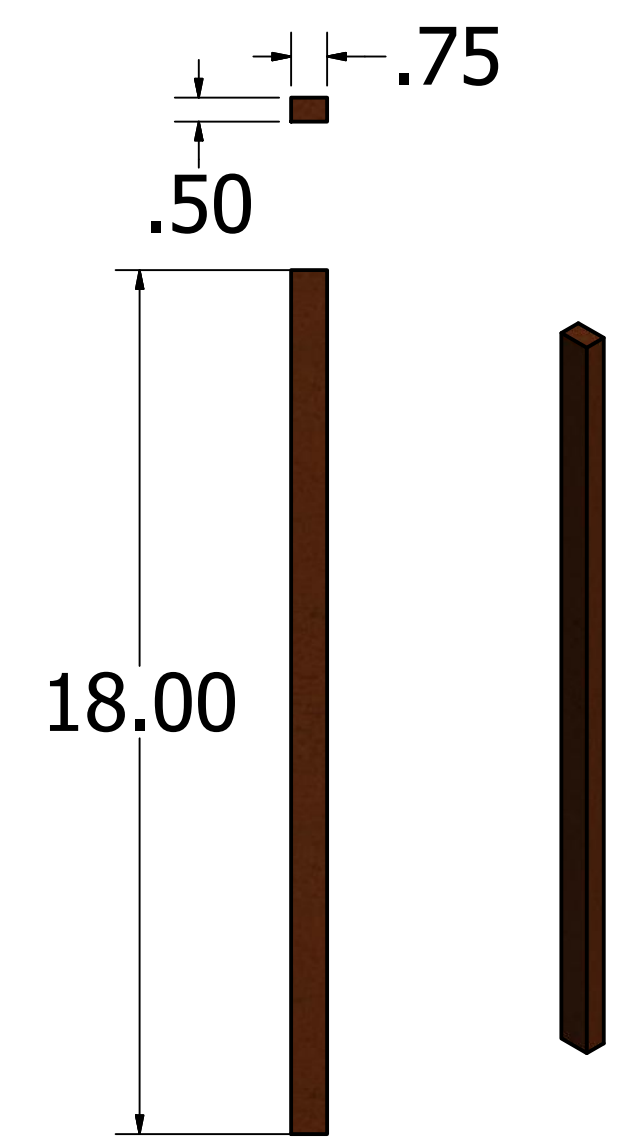


Kevin Culver	4/11/2019	https://kevswoodworks.com MyBenchTime@gmail.com		
		TITLE		
		Miter Sled		
		SIZE	DWG NO	REV
		D	Miter Sled	
		SCALE	.5	SHEET 1 OF 17



Kevin Culver	4/11/2019	https://kevswoodworks.com MyBenchTime@gmail.com		
		TITLE		
		Miter Sled		
		SIZE	DWG NO	REV
		D	Miter Sled	
		SCALE	.25	SHEET 2 OF 17



Kevin Culver	4/11/2019	https://kevswoodworks.com MyBenchTime@gmail.com		
		TITLE		
		Miter Sled		
		SIZE	DWG NO	REV
		D	Miter Sled	
		SCALE	1 / 4	SHEET 3 OF 17



8 7 6 5 4 3 2 1

D

D

1.25

12.00

C

C

B

B

A

A

8 7 6 5 4 3 2 1

Kevin Culver	4/11/2019	https://kevswoodworks.com MyBenchTime@gmail.com		
		TITLE		
		Miter Sled		
		SIZE	DWG NO	REV
		D	Miter Sled	
		SCALE	1 / 4	SHEET 4 OF 17



Kevin Culver	4/11/2019	https://kevswoodworks.com MyBenchTime@gmail.com		
		TITLE		
		Miter Sled		
		SIZE	DWG NO	REV
		D	Miter Sled	
		SCALE	1 / 4	SHEET 5 OF 17



8 7 6 5 4 3 2 1

D

D

C

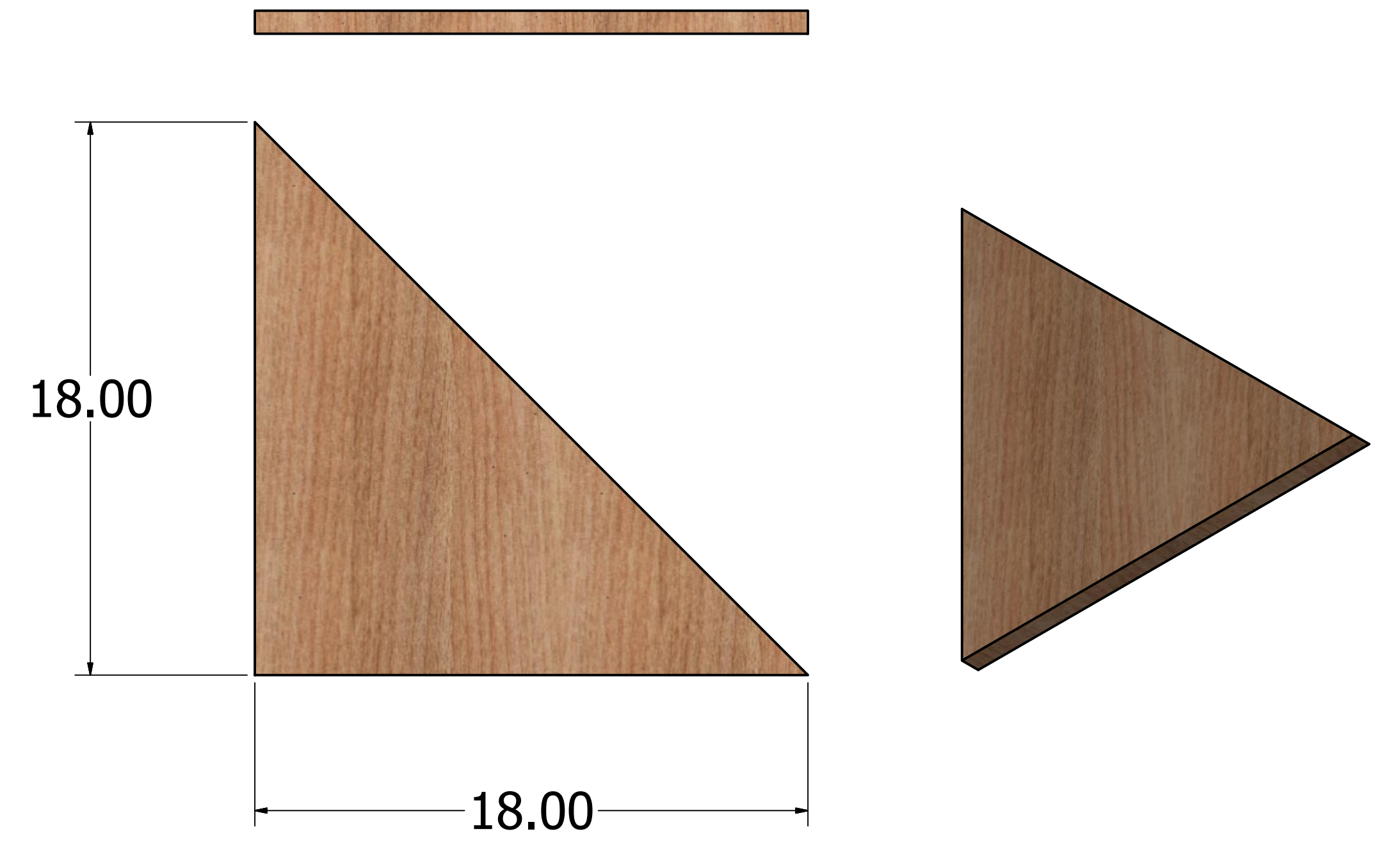
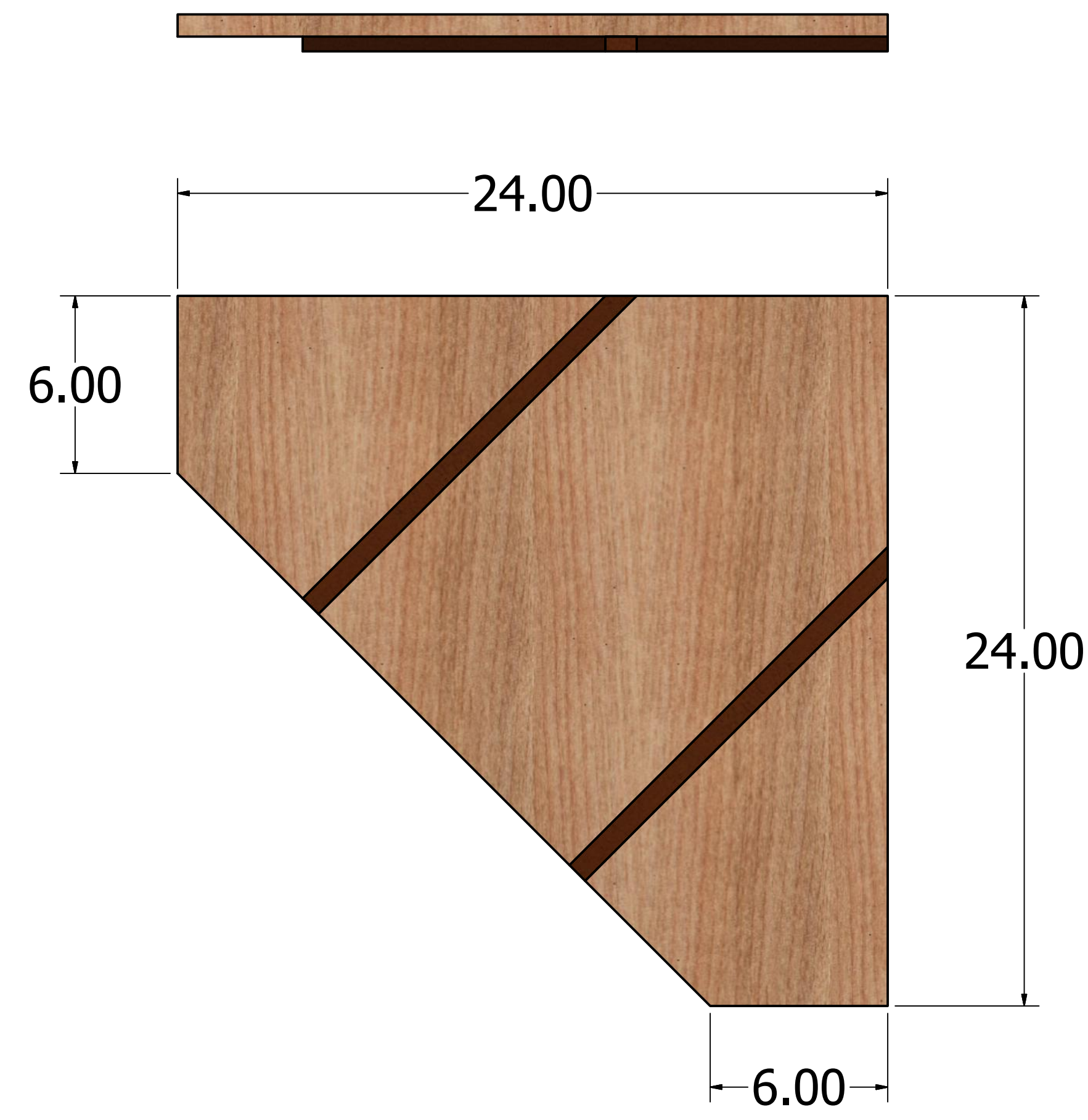
C

B

B

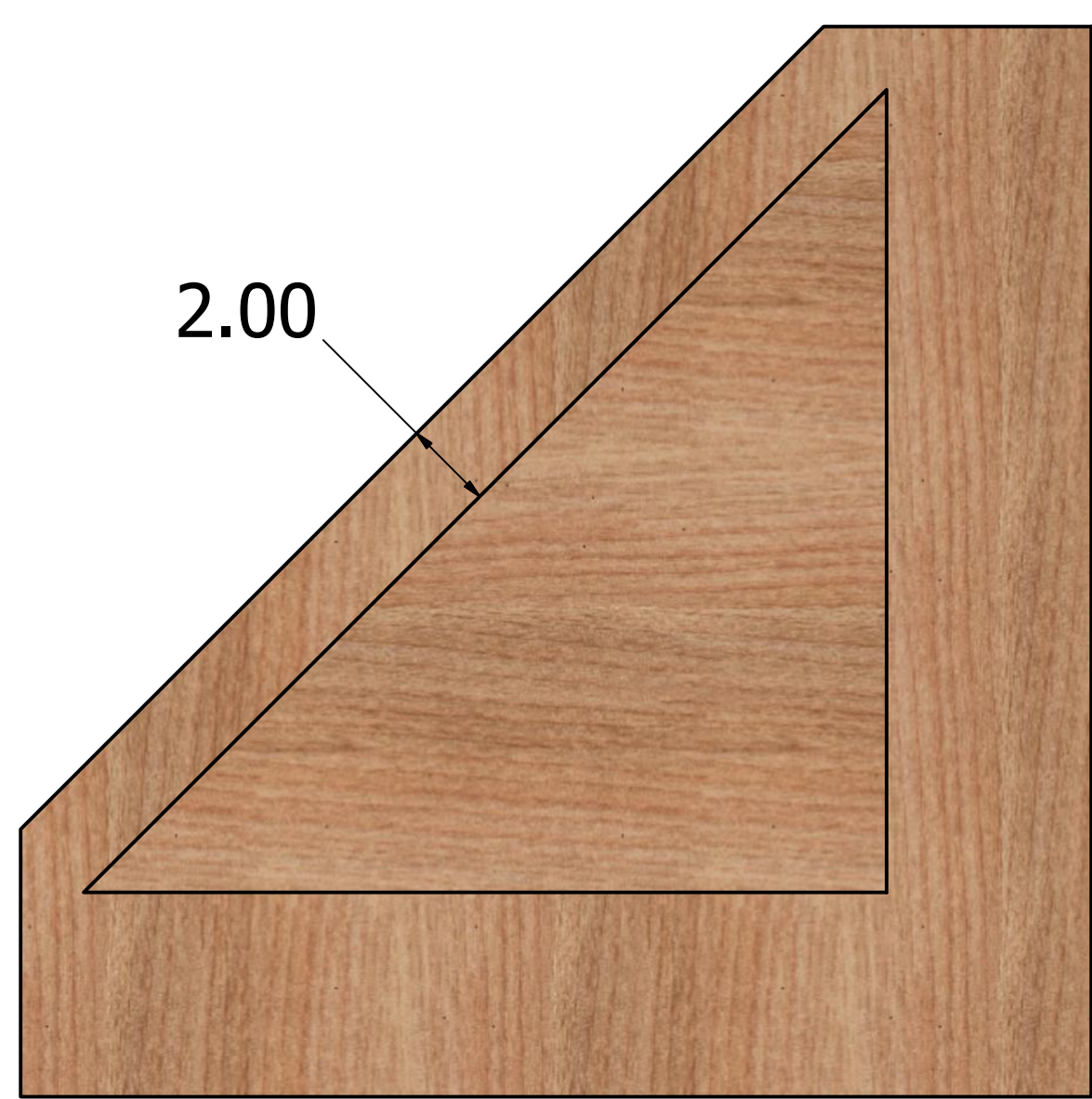
A

A

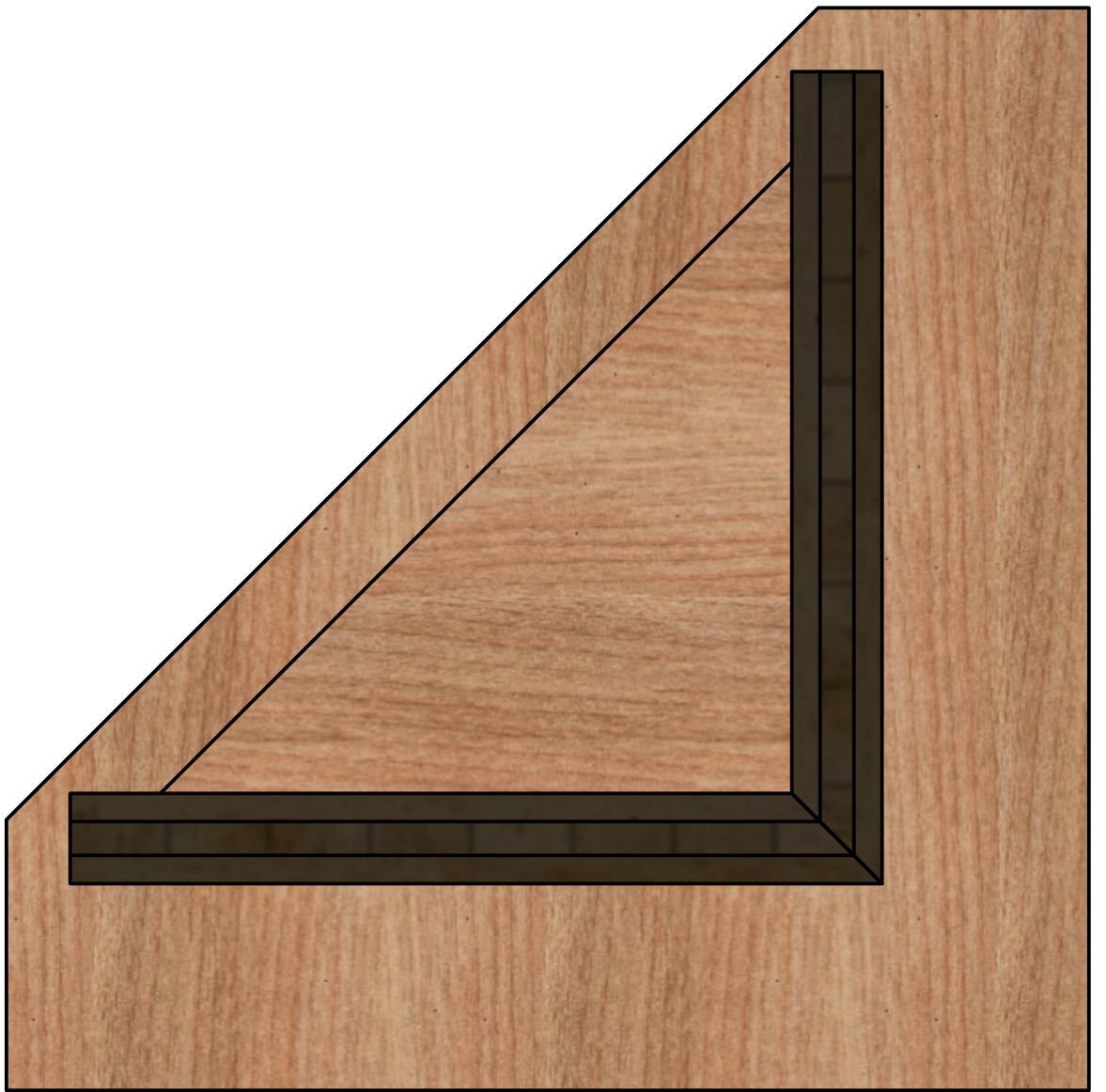


Kevin Culver	4/11/2019	https://kevswoodworks.com MyBenchTime@gmail.com		
		TITLE		
		Miter Sled		
		SIZE	DWG NO	REV
		D	Miter Sled	
		SCALE	1 / 4	SHEET 6 OF 17

8 7 6 5 4 3 2 1



Kevin Culver	4/11/2019	https://kevswoodworks.com MyBenchTime@gmail.com		
		TITLE		
		Miter Sled		
		SIZE	DWG NO	REV
		D	Miter Sled	
		SCALE	1 / 4	SHEET 7 OF 17



8 | 7 | 6 | 5 | 4 | 3 | 2 | 1

D

D

C

C

B

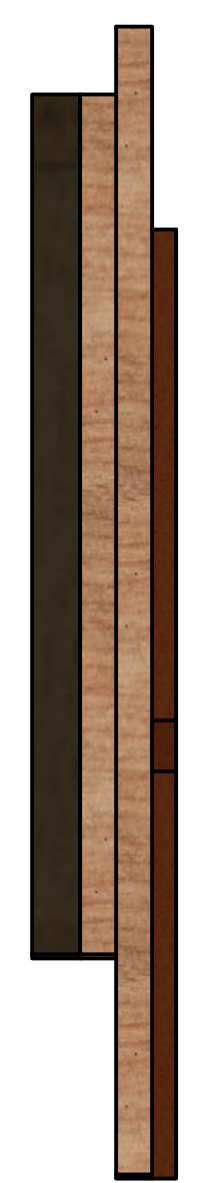
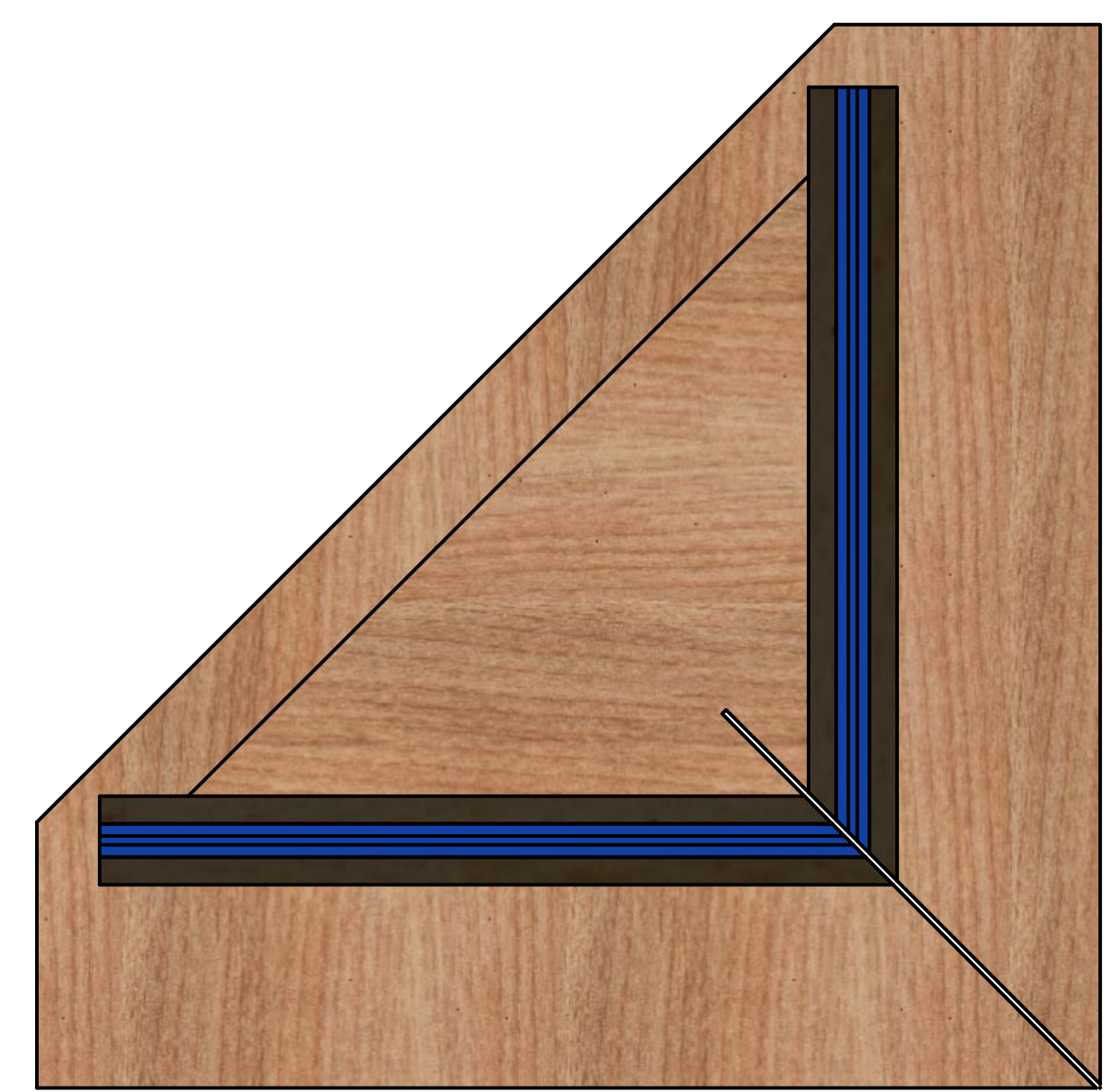
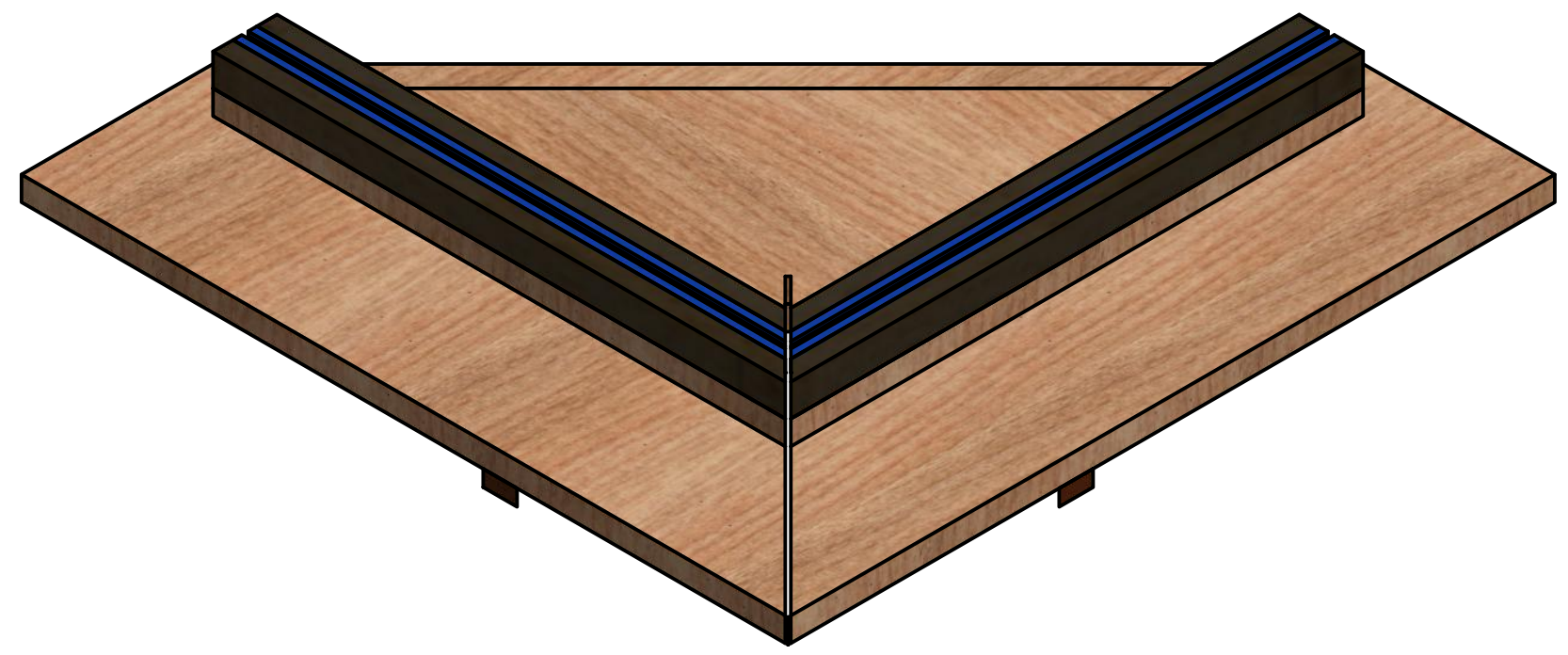
B

A

A

Kevin Culver	4/11/2019	https://kevswoodworks.com MyBenchTime@gmail.com		
		TITLE		
		Miter Sled		
		SIZE	DWG NO	REV
		D	Miter Sled	
		SCALE	.25	SHEET 8 OF 17

8 | 7 | 6 | 5 | 4 | 4 | 3 | 2 | 1



8 | 7 | 6 | 5 | 4 | 3 | 2 | 1

D

D

C

C

B

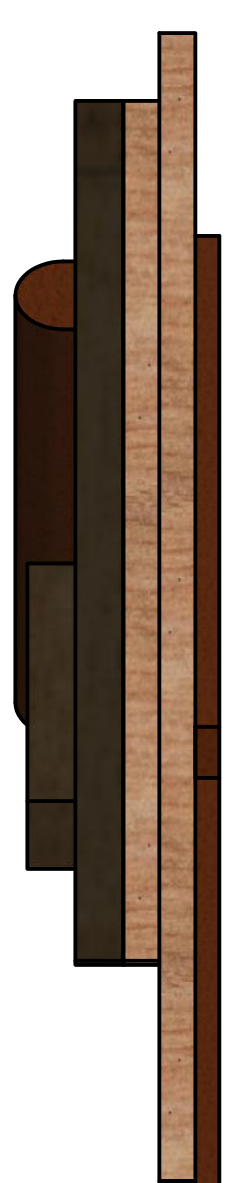
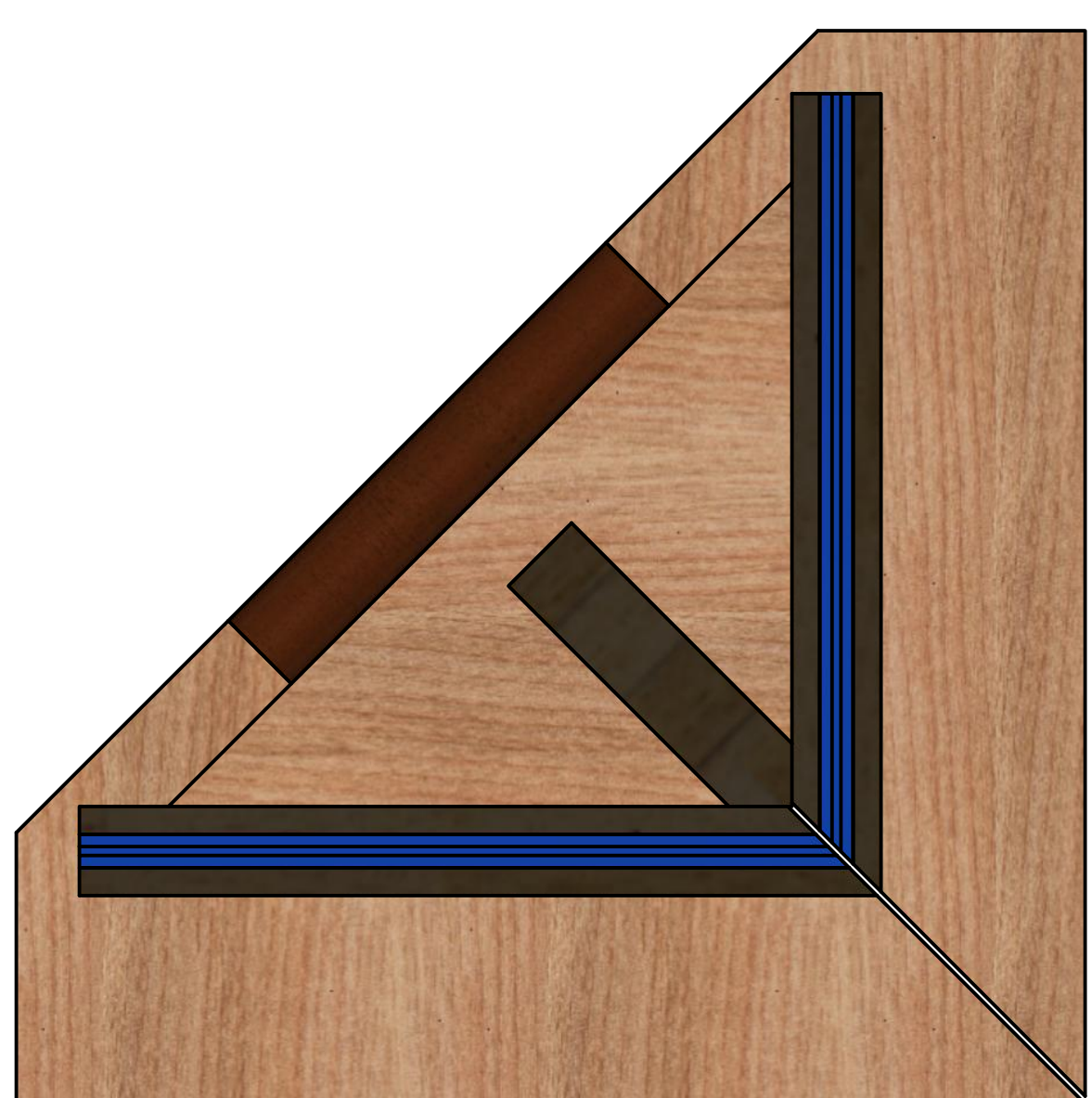
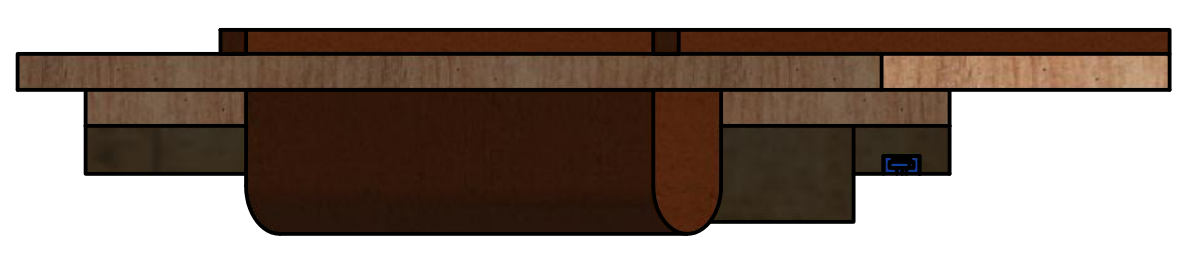
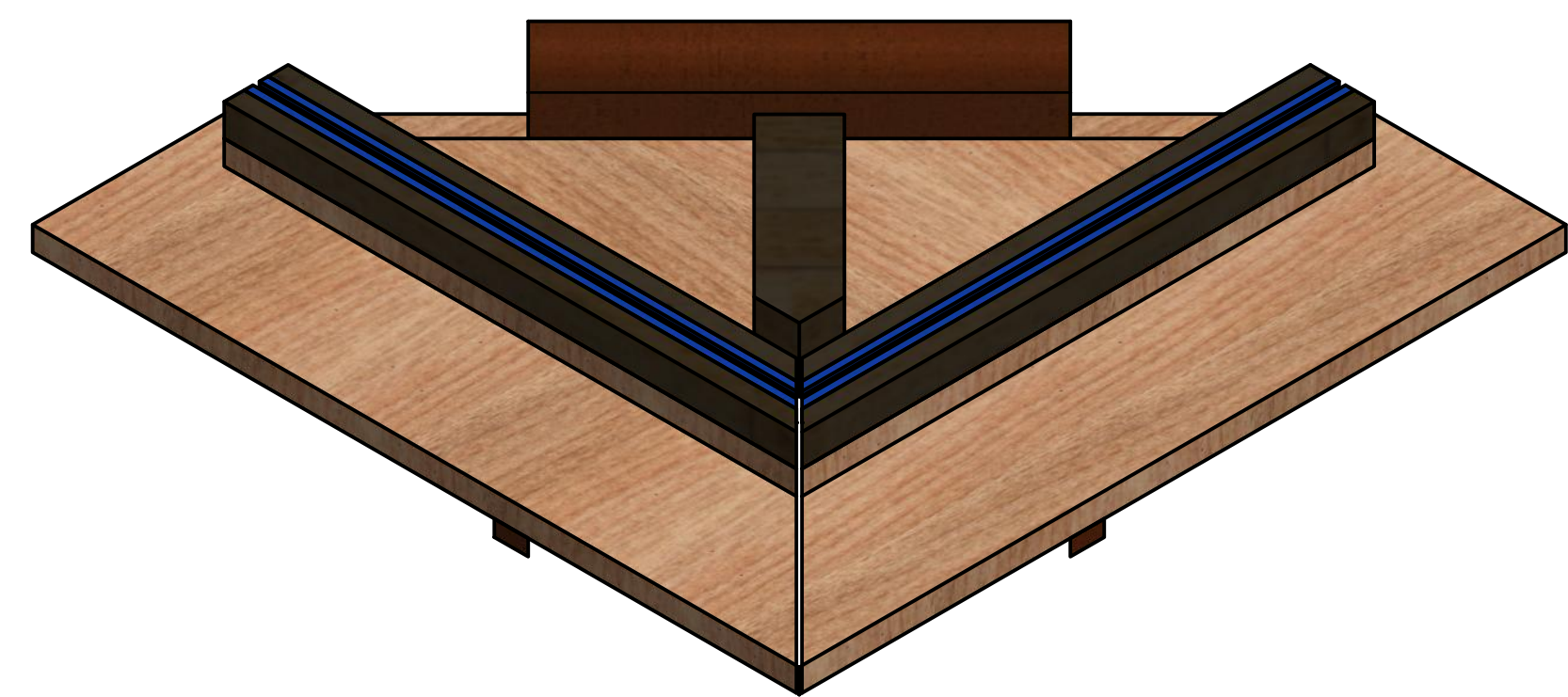
B

A

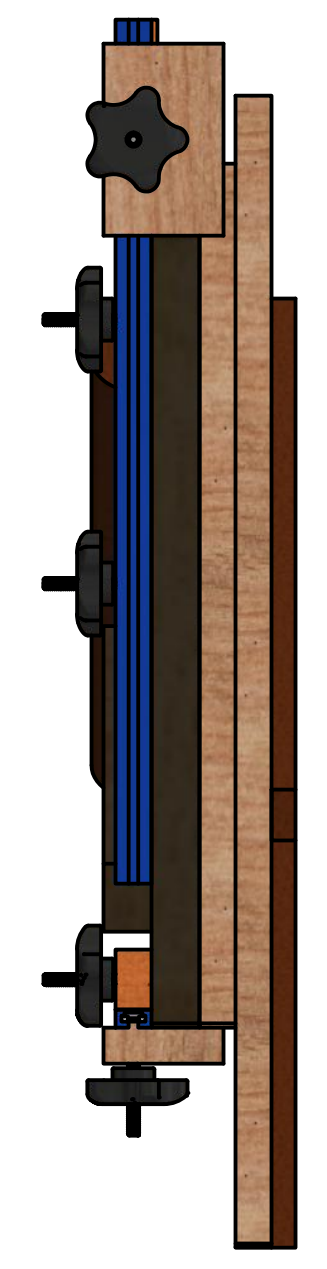
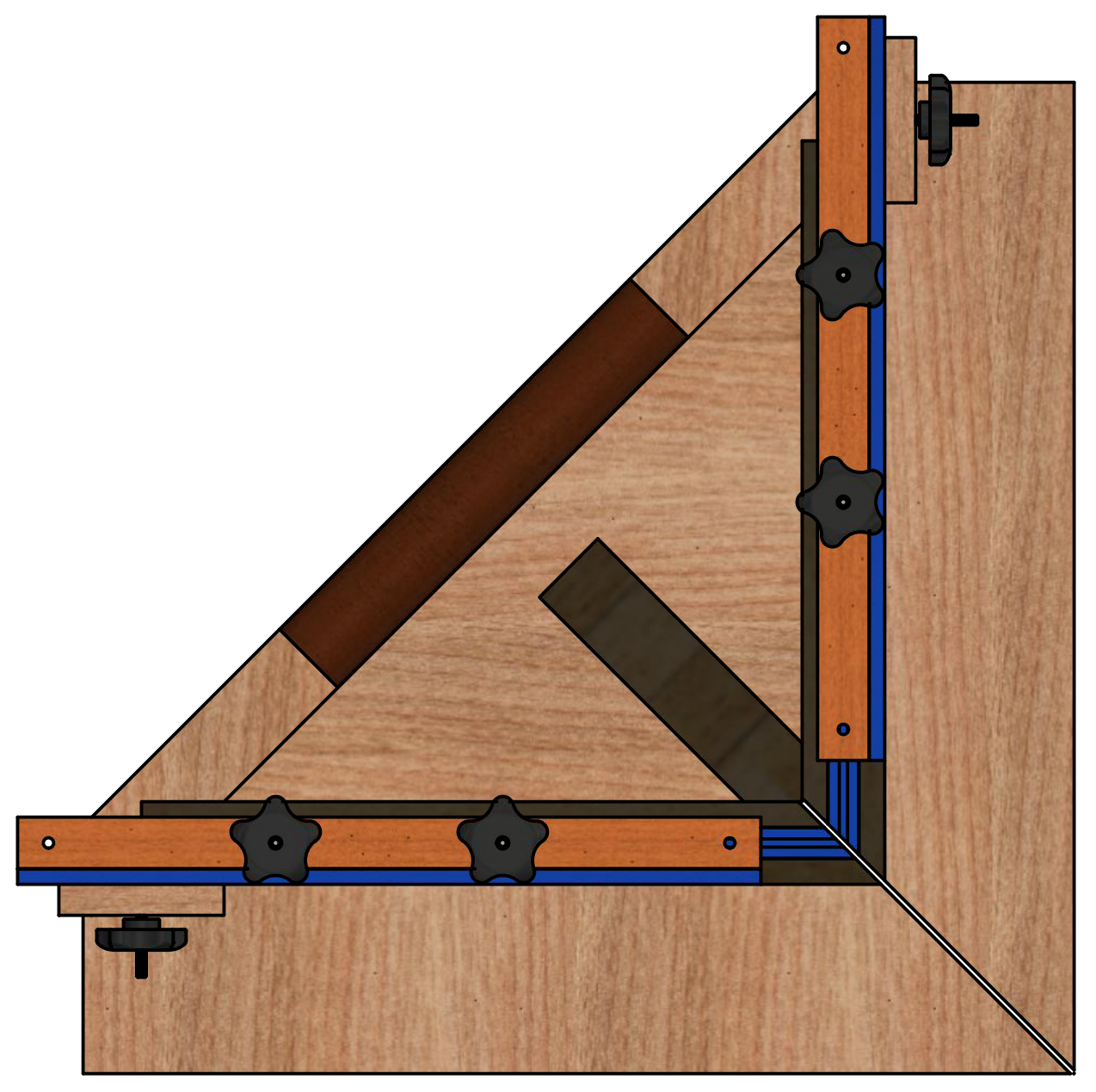
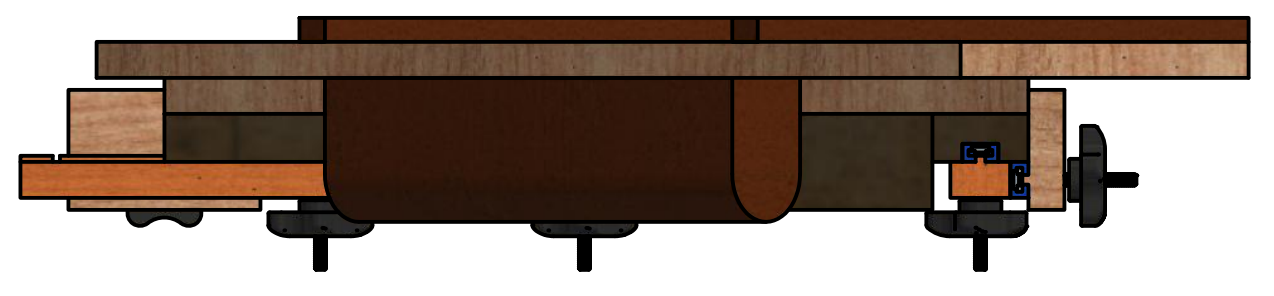
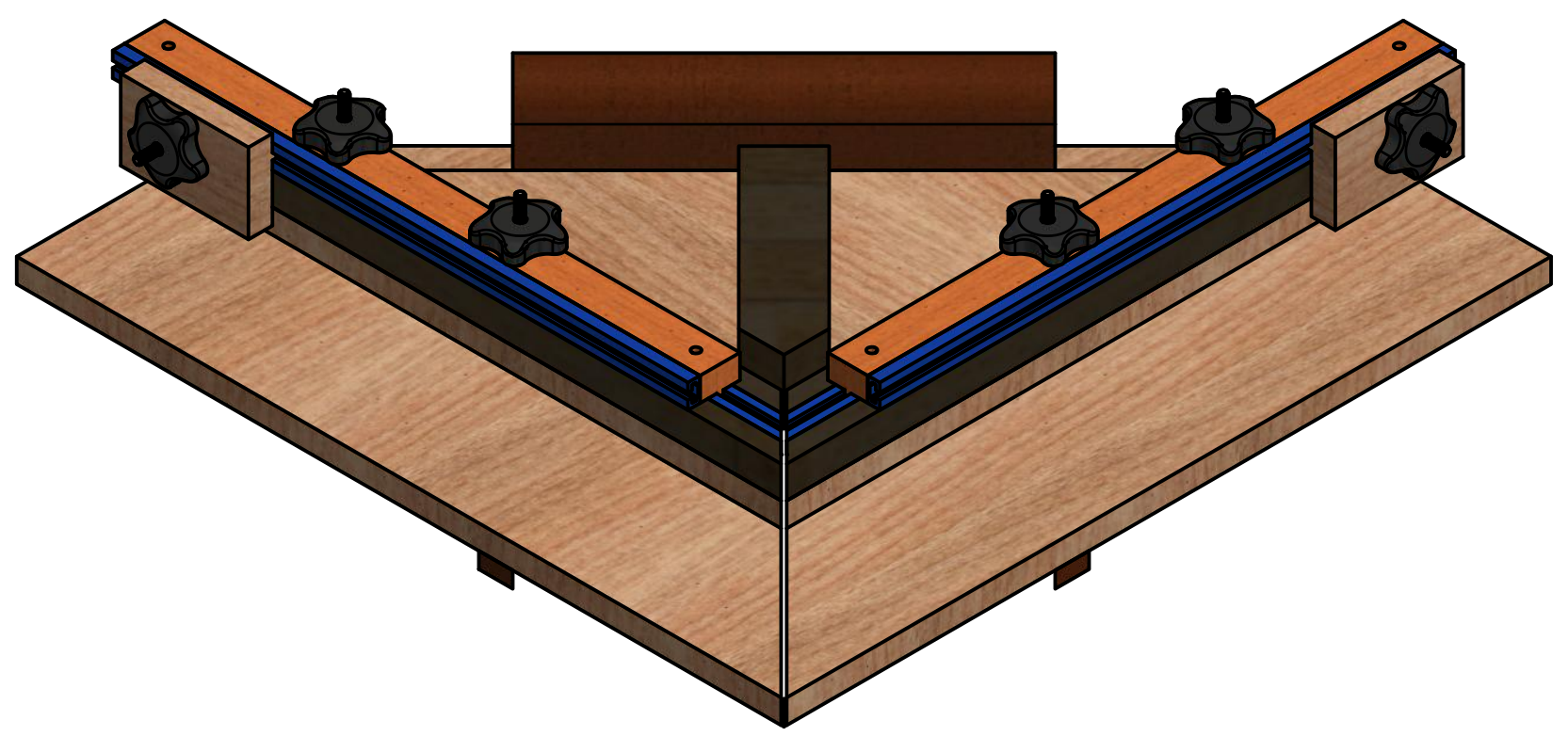
A

Kevin Culver	4/11/2019	https://kevswoodworks.com MyBenchTime@gmail.com		
		TITLE		
		Miter Sled		
		SIZE	DWG NO	REV
		D	Miter Sled	
		SCALE	1 / 4	SHEET 9 OF 17

8 | 7 | 6 | 5 | 4 | 3 | 2 | 1



Kevin Culver	4/11/2019	https://kevswoodworks.com MyBenchTime@gmail.com		
		TITLE		
		Miter Sled		
		SIZE	DWG NO	REV
		D	Miter Sled	
		SCALE 1 / 4"	SHEET 10 OF 17	



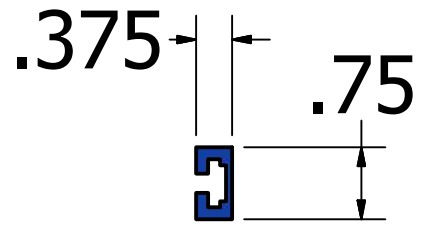
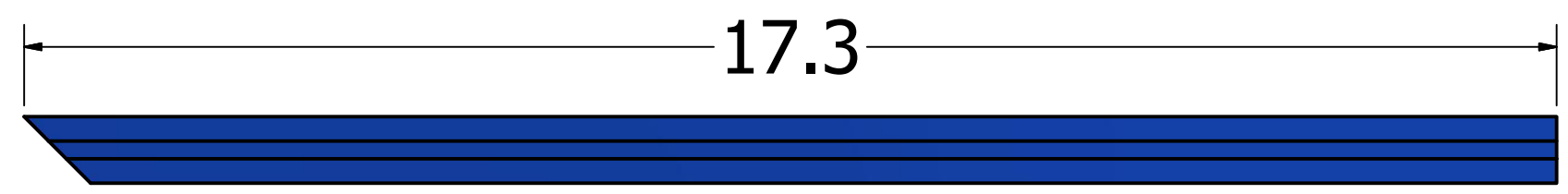
Kevin Culver	4/11/2019	https://kevswoodworks.com MyBenchTime@gmail.com		
		TITLE		
		Miter Sled		
		SIZE	DWG NO	REV
		D	Miter Sled	
		SCALE 1 / 4"	SHEET 11 OF 17	



8 | 7 | 6 | 5 | 4 | 3 | 2 | 1

D

D

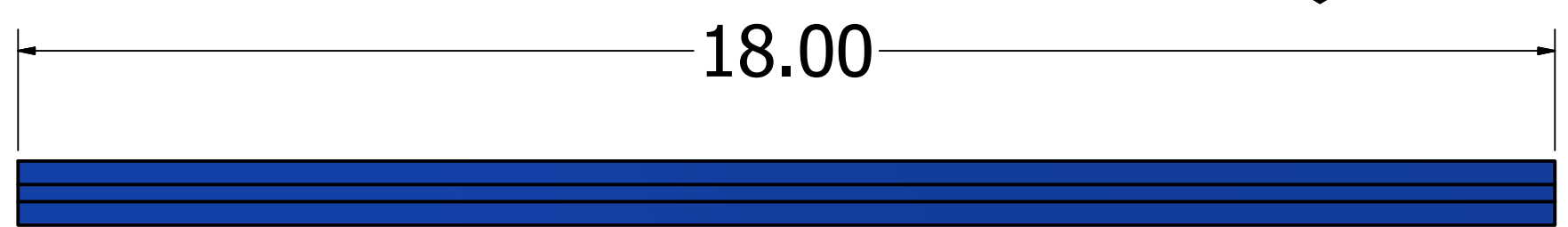
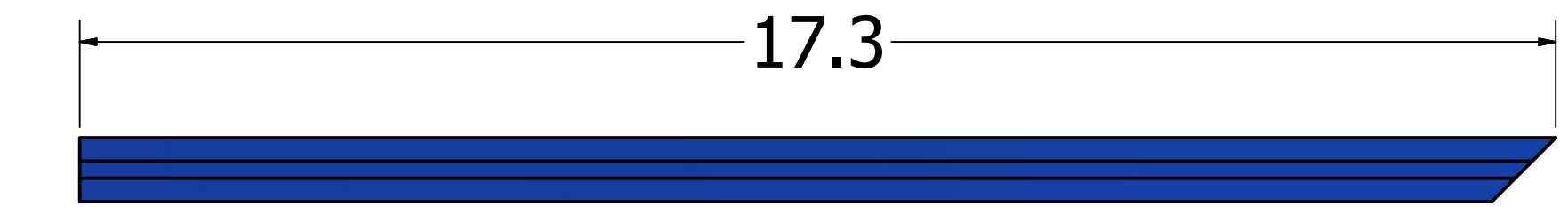
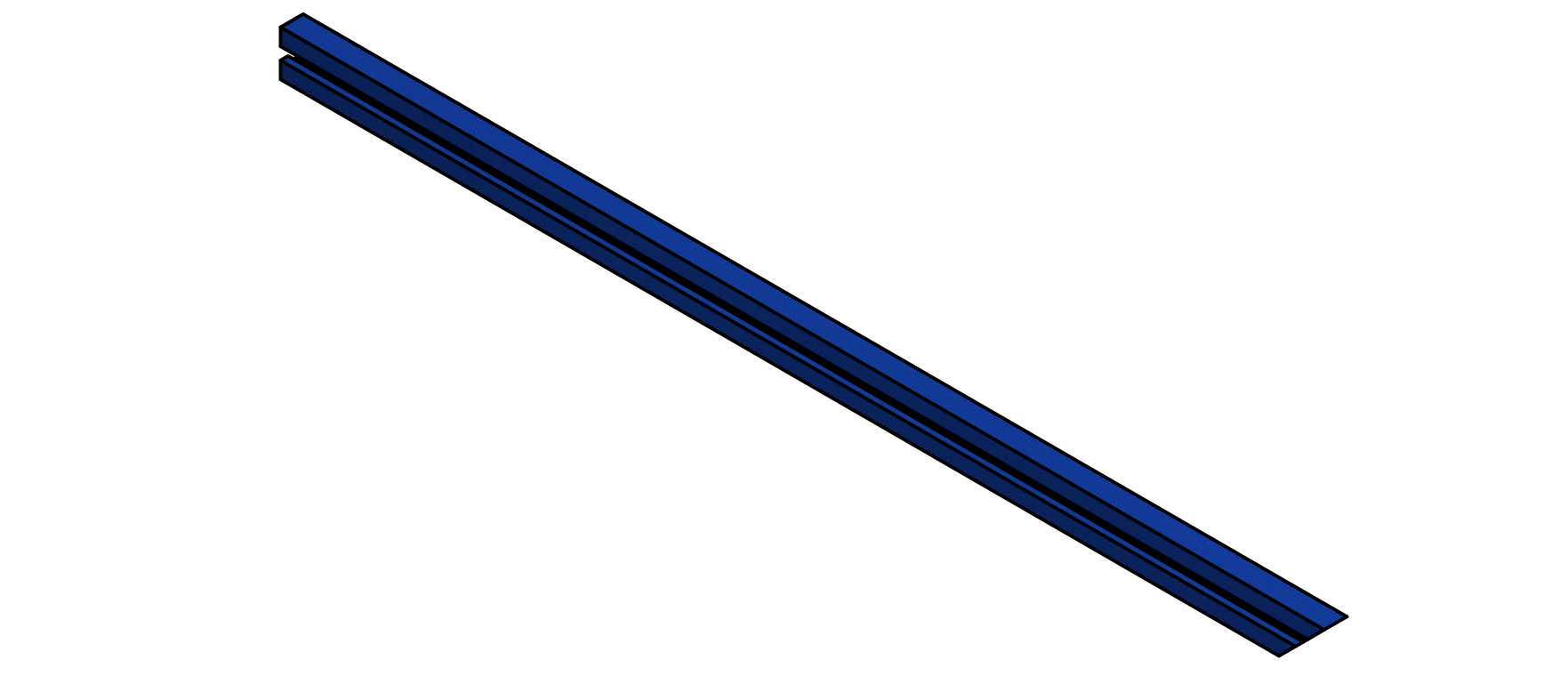


C

C

B

B



B

B

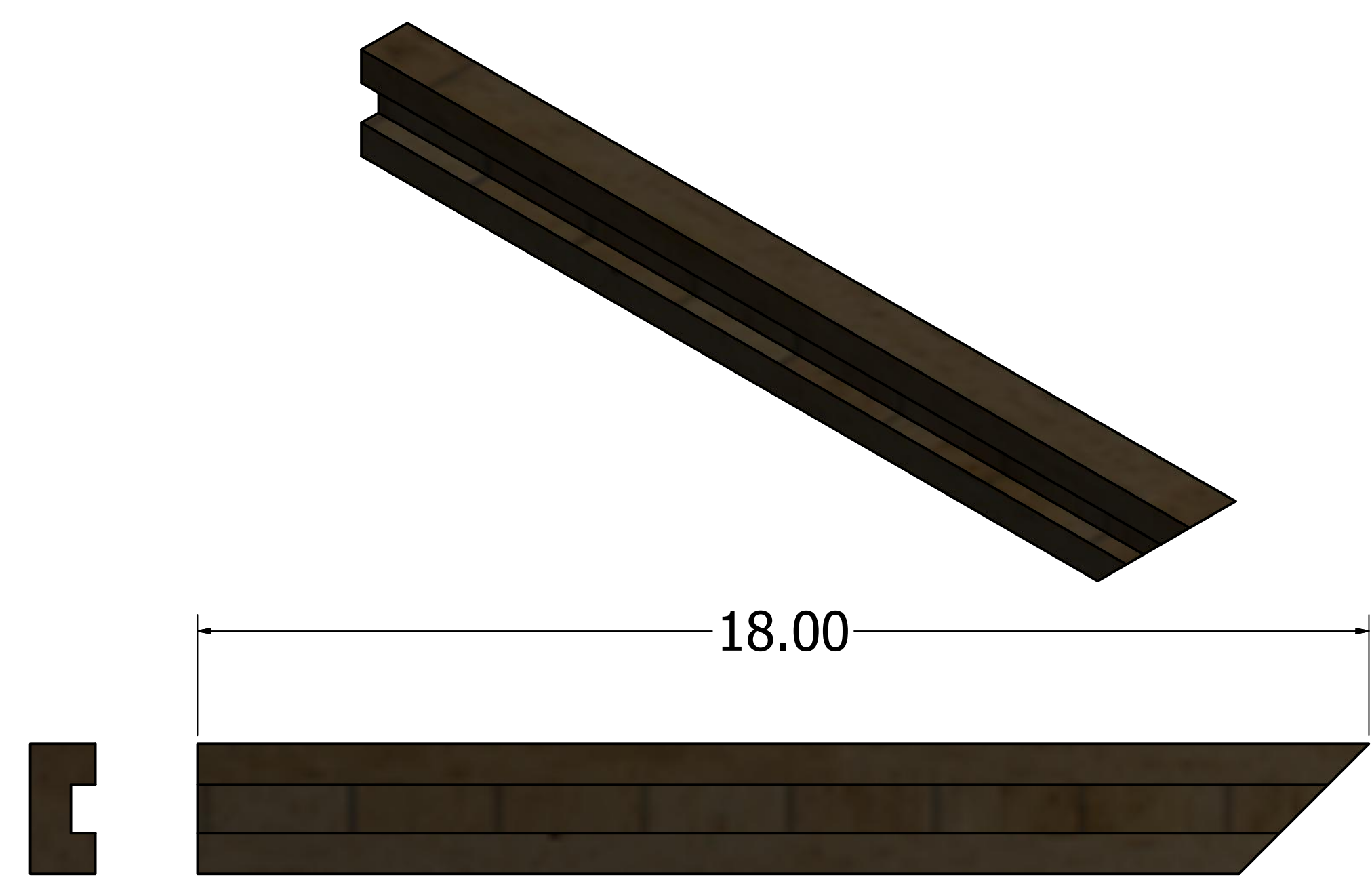
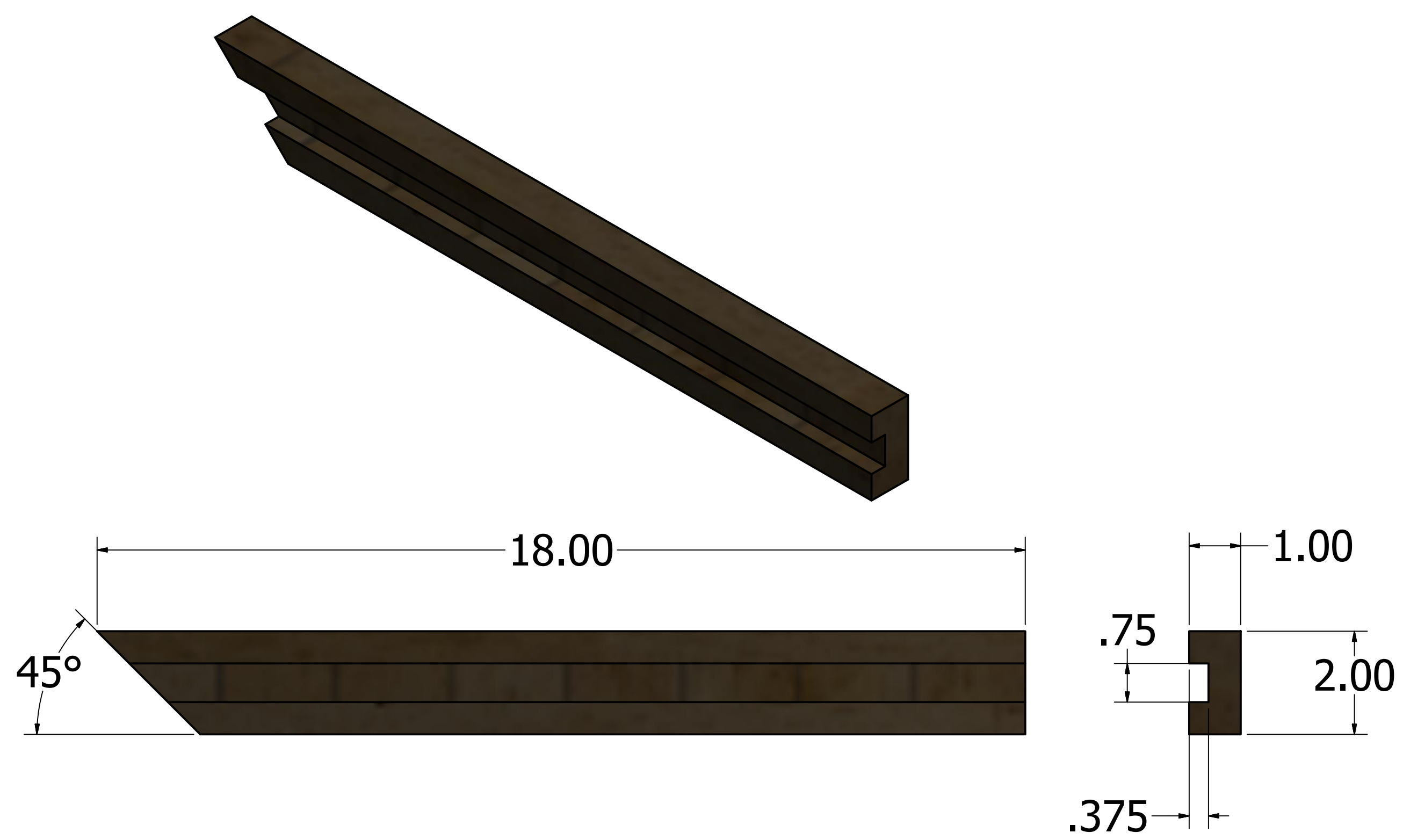
A

A

Kevin Culver	4/11/2019	https://kevswoodworks.com		
		MyBenchTime@gmail.com		
		TITLE		
		Miter Sled		
		SIZE	DWG NO	REV
		D	Miter Sled	
		SCALE	1 / 2	SHEET 12 OF 17

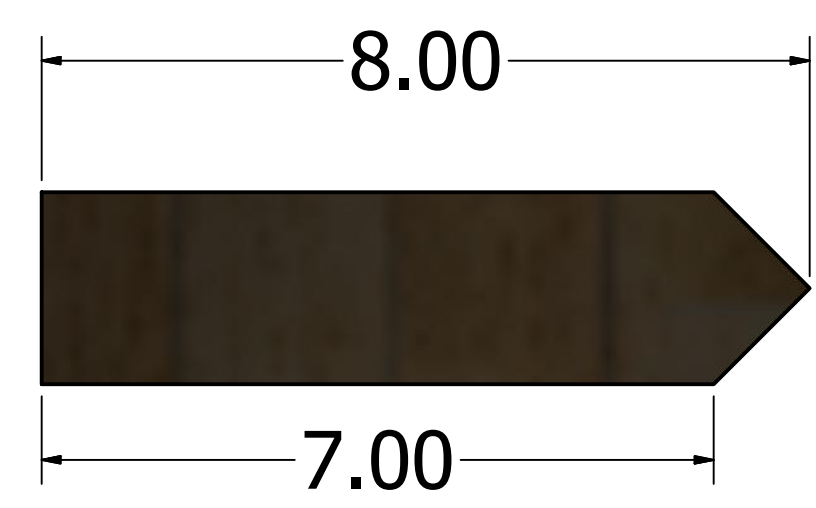
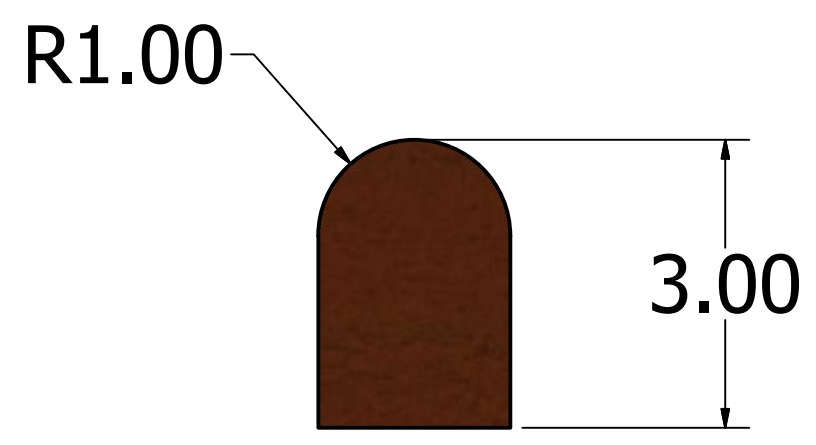
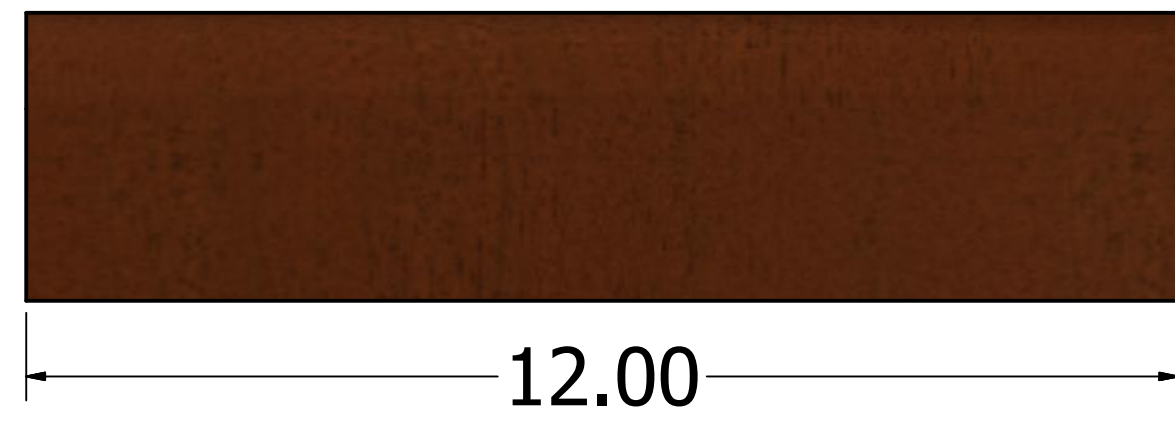
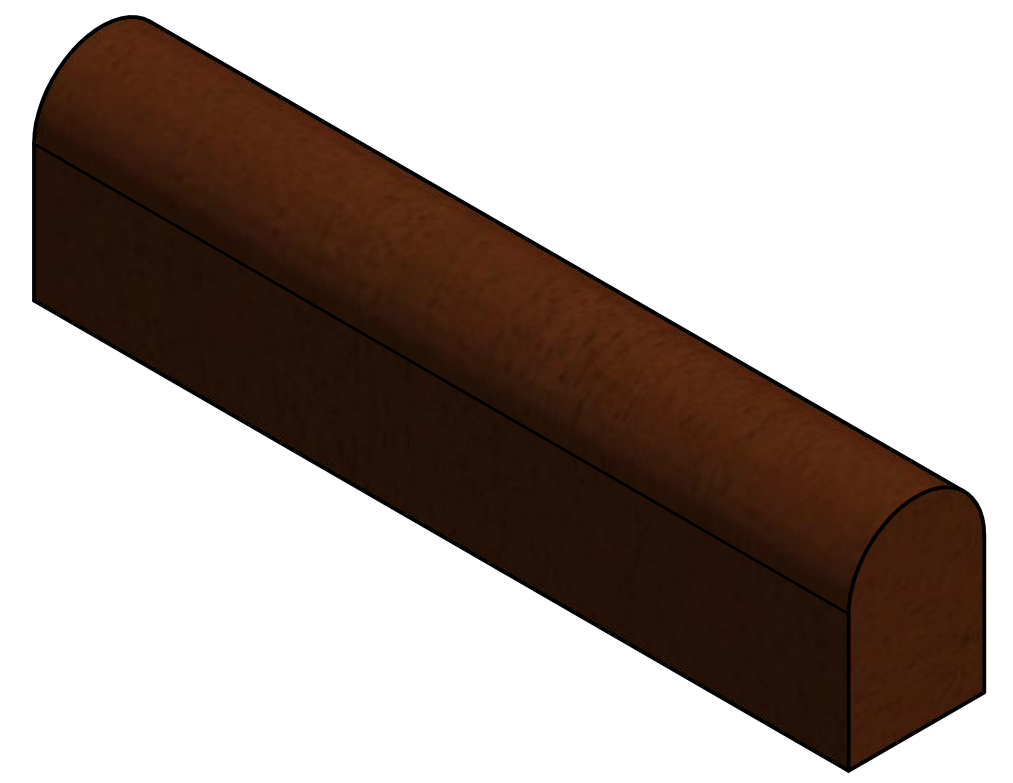
T TRACKS

8 | 7 | 6 | 5 | 4 | 3 | 2 | 1



FENCE EXTENSION

Kevin Culver	4/11/2019	https://kevswoodworks.com MyBenchTime@gmail.com		
		TITLE		
		Miter Sled		
		SIZE	DWG NO	REV
		D	Miter Sled	
		SCALE	.5	SHEET 13 OF 17



PUSH & SAFETY BLOCK

Kevin Culver	4/11/2019	https://kevswoodworks.com MyBenchTime@gmail.com		
		TITLE		
		Miter Sled		
		SIZE	DWG NO	REV
		D	Miter Sled	
		SCALE	.5	SHEET 14 OF 17



8 7 6 5 4 3 2 1

D

D

C

C

B

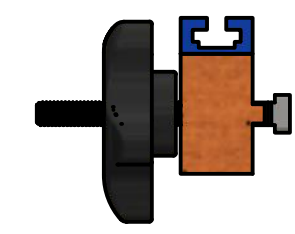
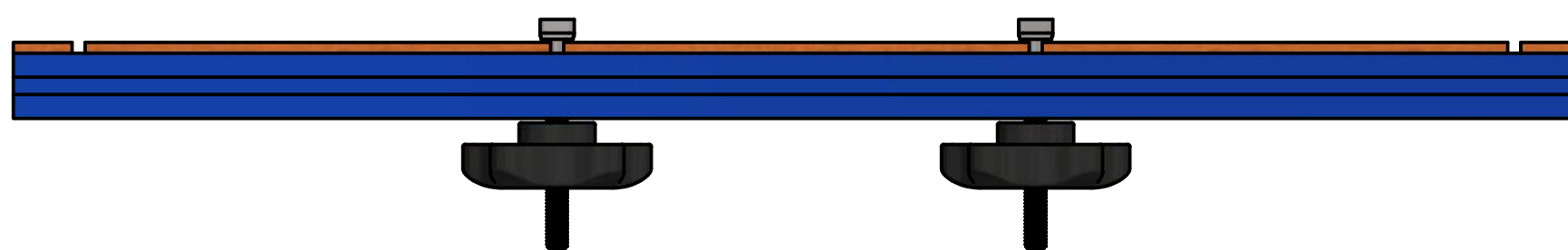
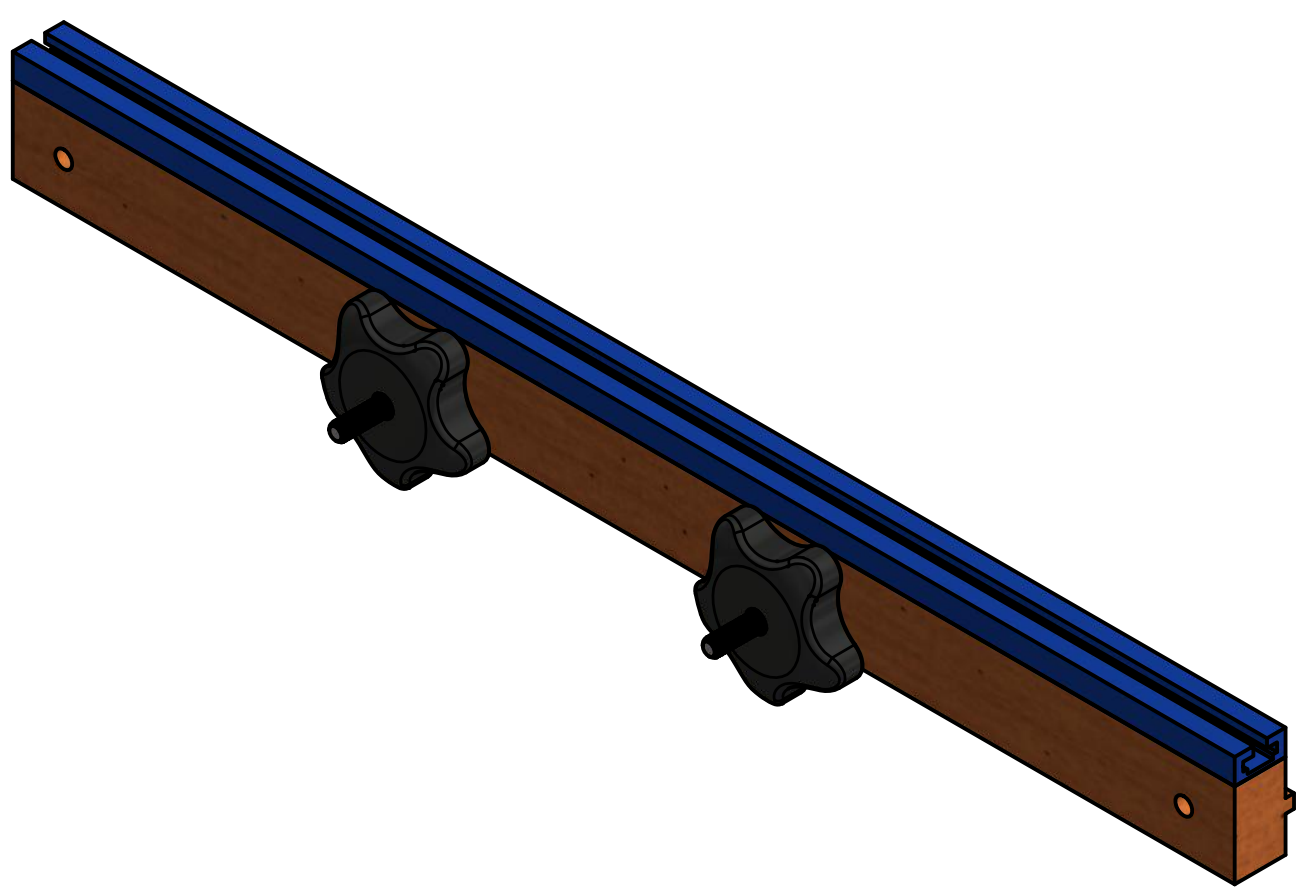
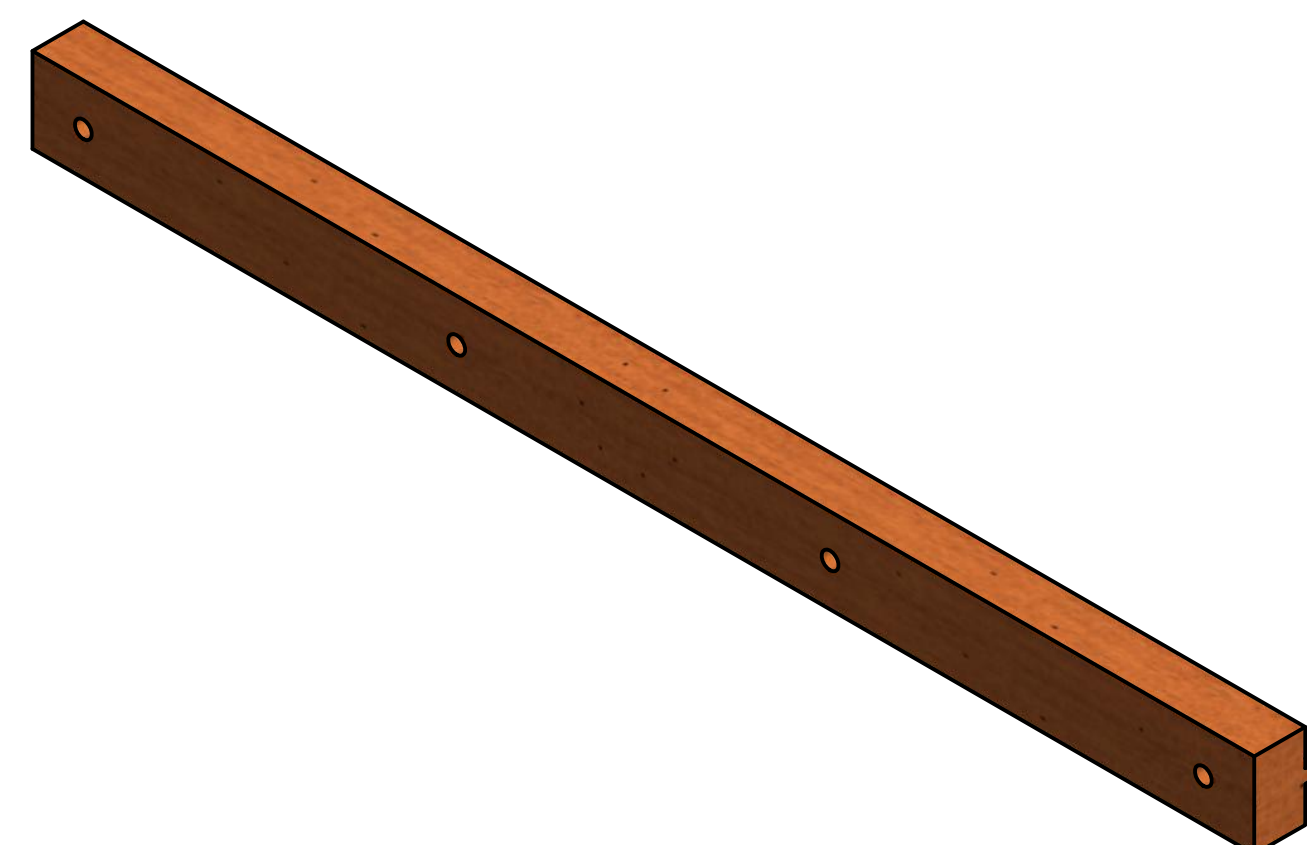
B

B

B

A

A



.75 5.50 (x3) ϕ .25 (x4) .75 .525
 .625 18.00 1.25 .875

HOLDING FIXTURE

Kevin Culver	4/11/2019	https://kevswoodworks.com MyBenchTime@gmail.com		
		TITLE		
		Miter Sled		
		SIZE	DWG NO	REV
		D	Miter Sled	
		SCALE 1 / 2	SHEET 15 OF 17	

8 7 6 5 4 3 2 1



8 7 6 5 4 3 2 1

D

D

C

C

B

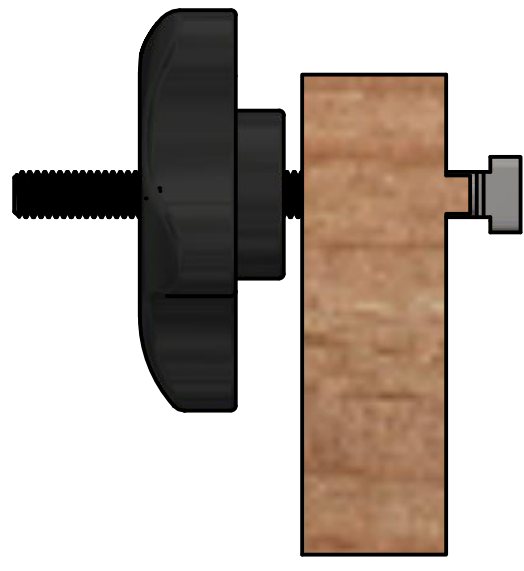
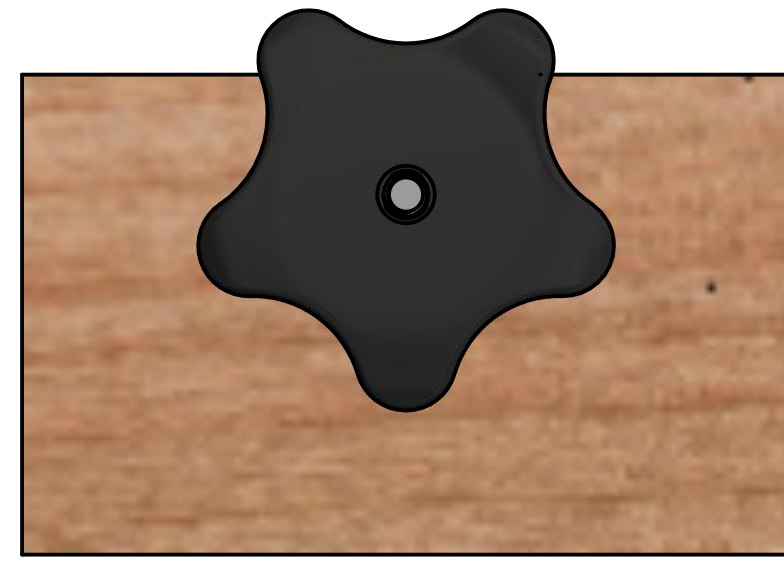
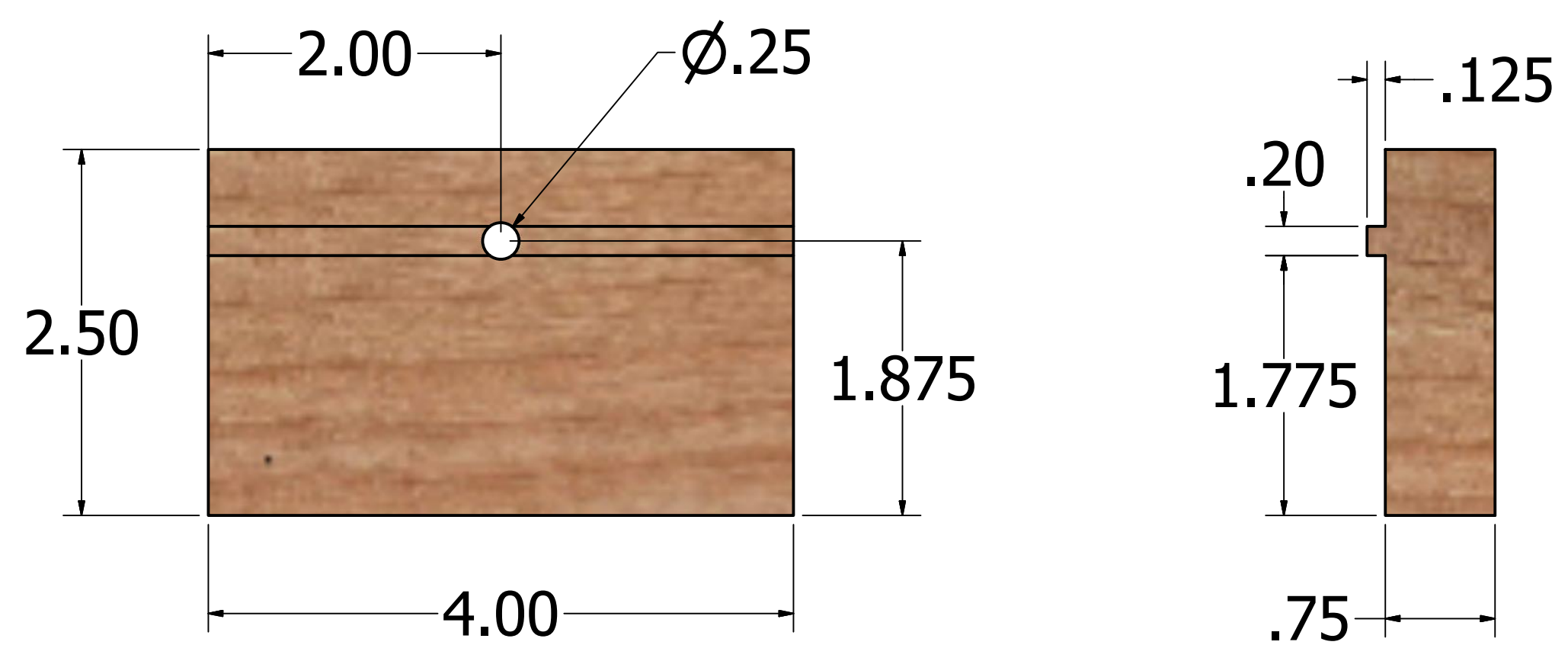
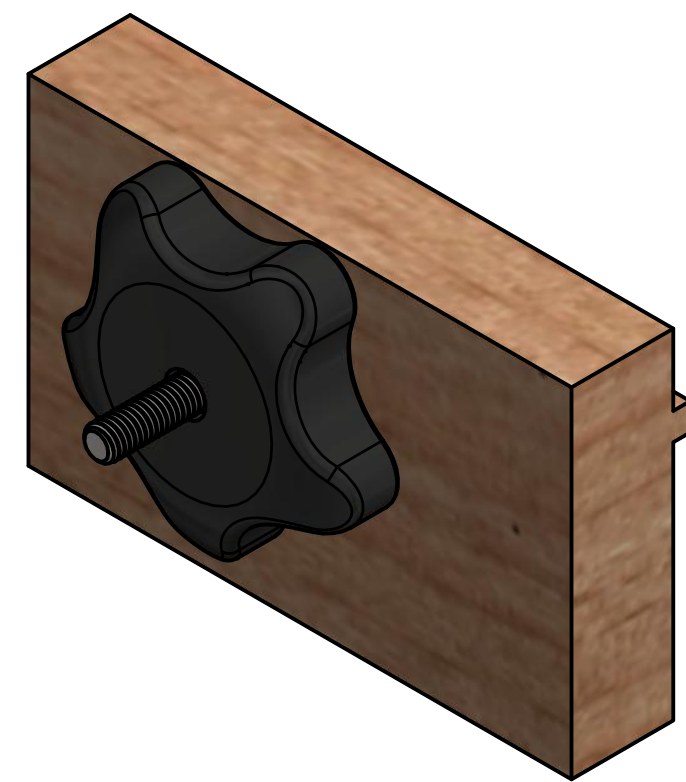
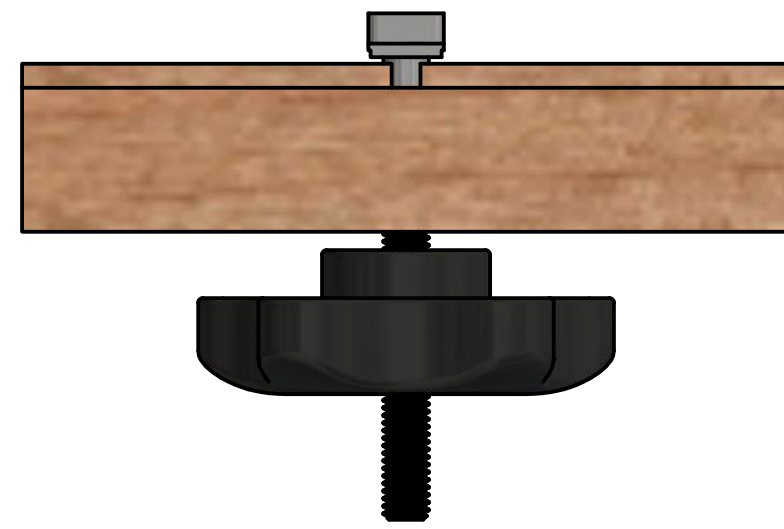
B

B

B

A

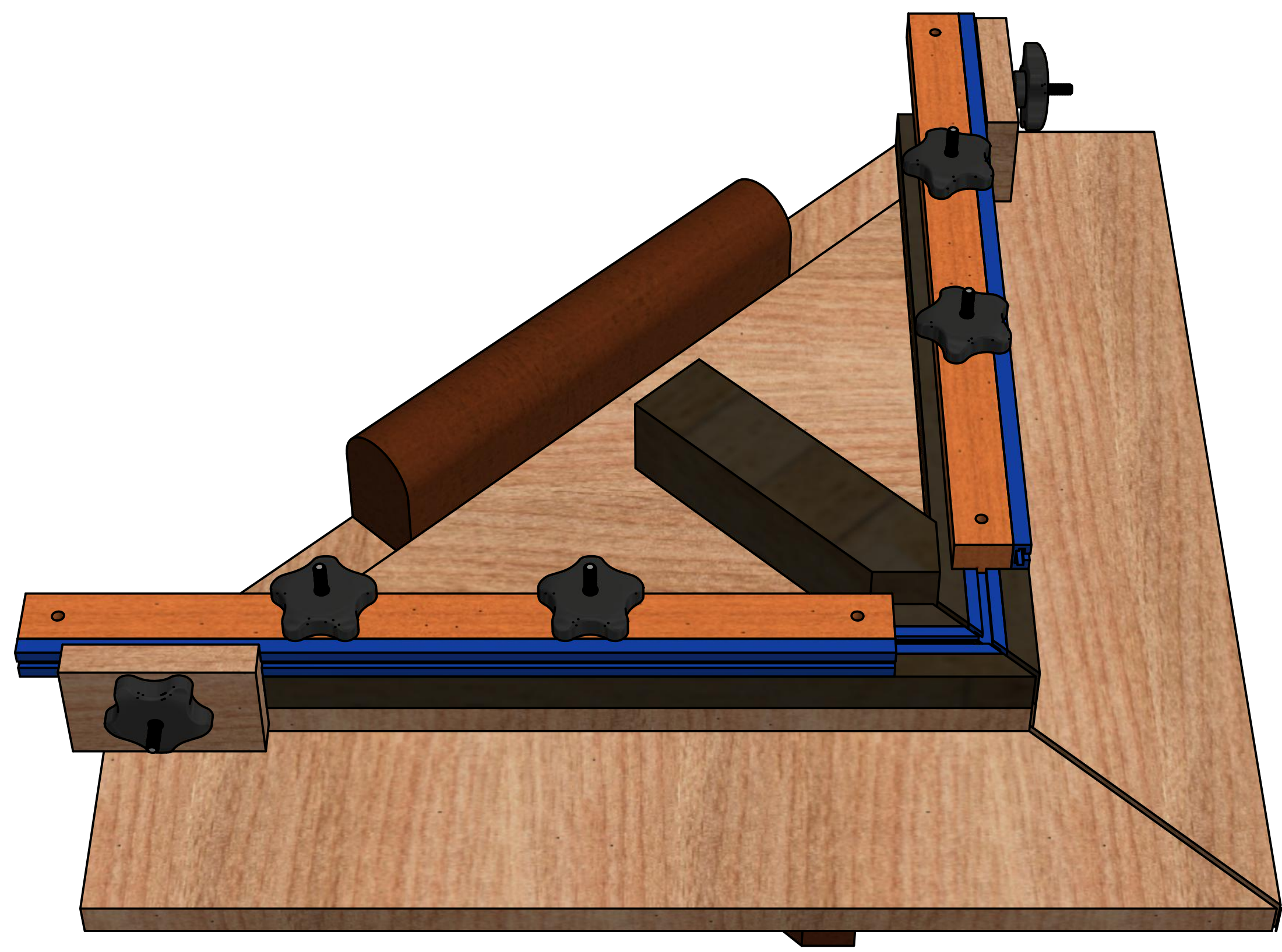
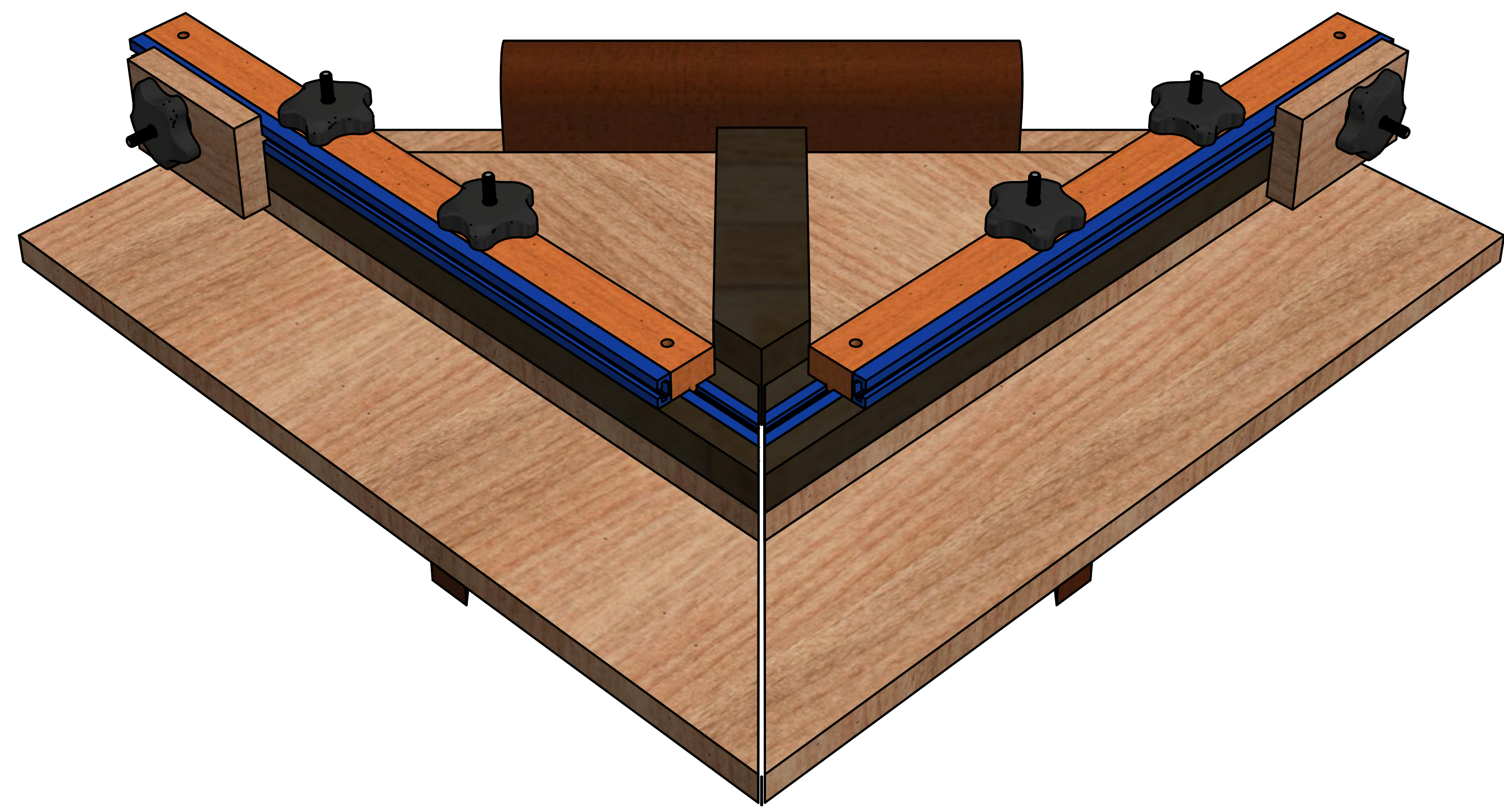
A



STOP BLOCK

Kevin Culver	4/11/2019	https://kevswoodworks.com MyBenchTime@gmail.com		
		TITLE		
		Miter Sled		
		SIZE	DWG NO	REV
		D	Miter Sled	
		SCALE	1	SHEET 16 OF 17

8 7 6 5 4 3 2 1



Kevin Culver	4/11/2019	https://kevswoodworks.com MyBenchTime@gmail.com		
		TITLE		
		Miter Sled		
		SIZE	DWG NO	REV
		D	Miter Sled	
		SCALE	.4	SHEET 17 OF 17