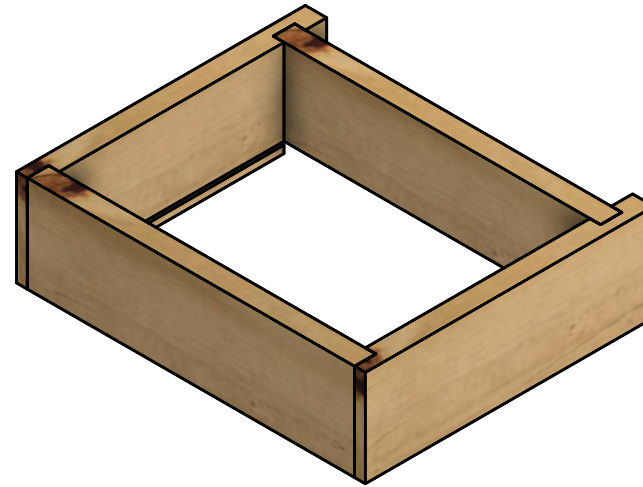
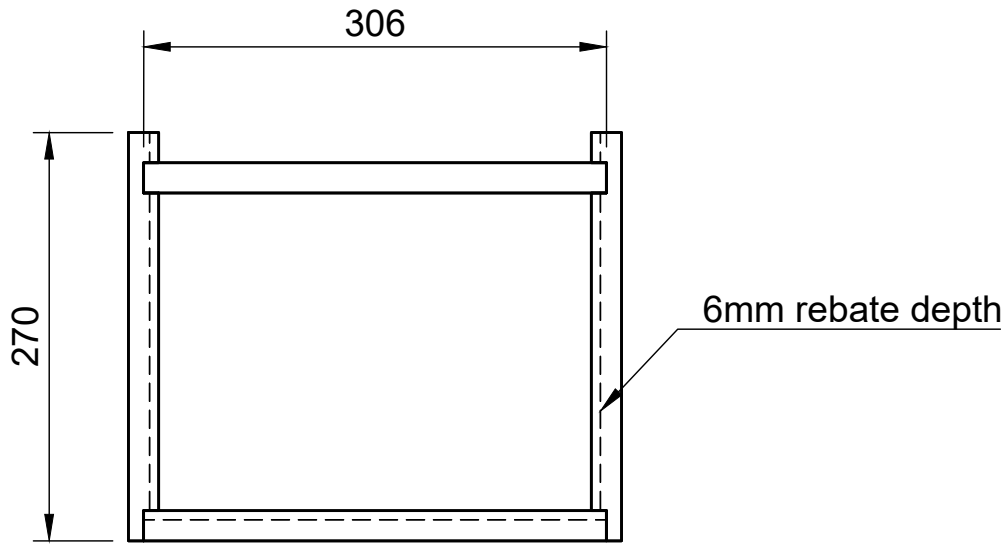
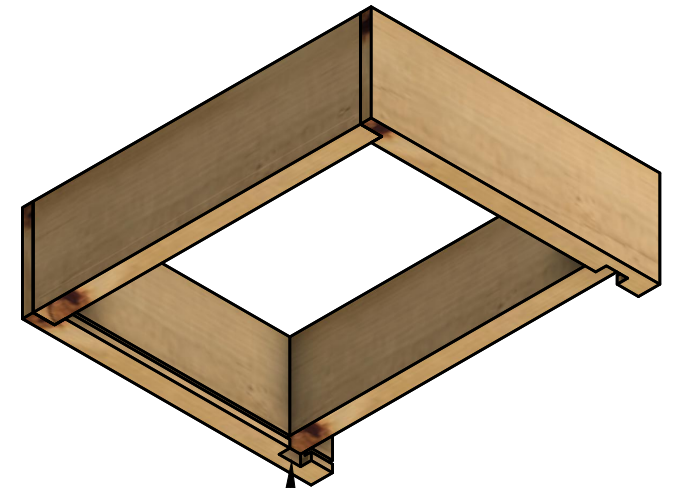


SMALL TABLE WITH DRAWER



This plan shows the drawer with the drawer front and without the base. This is for ease of plan reading.



note the back is shorter than the front and sides, the drawer base slides under the back and is fixed to it.

